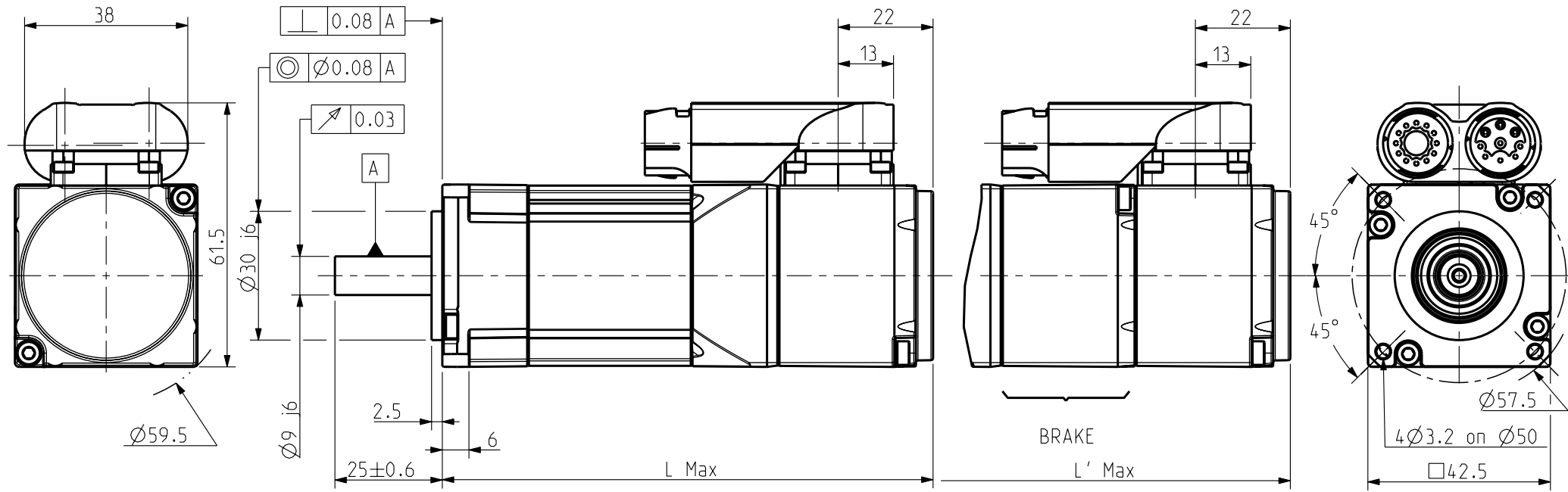


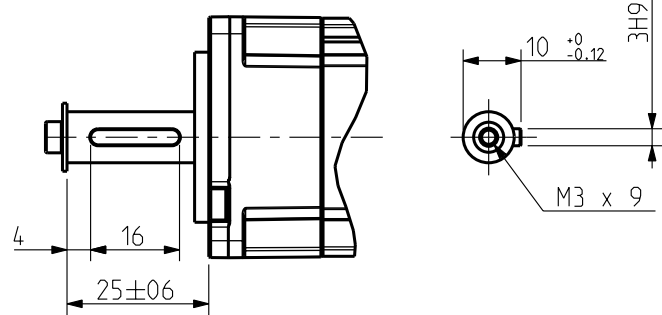
Feedback Letter : A



FEEDBACK OPTIONS

Scale 3/4

KEY



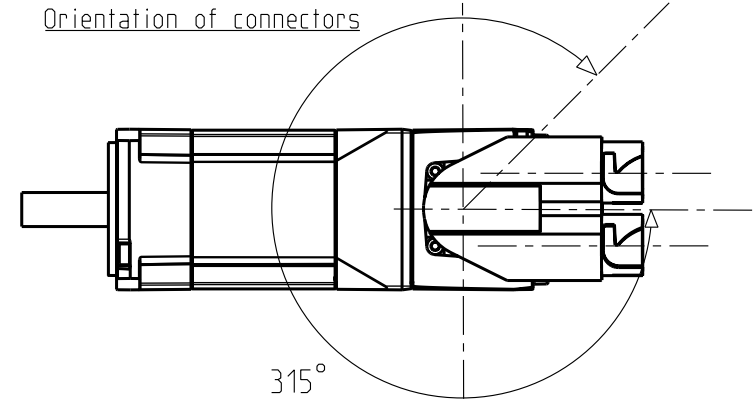
BRAKE Supply voltage : 24V ±10%
Static torque

20 °C	0.4 Nm
100 °C	*

WEIGHT

	NX110
No Brake	0.8 Kg
With Brake	1 Kg

Orientation of connectors



Scale 3/4

Feedback option (Feedback letter)	Resolver (A)
L (mm)	115
L' (mm)	146

N X 1 1 0 E _ _ R 7 _ _ _

Torque range (depends on length)

Winding (depends on speed)

0 : Plain Shaft
1 : key

0 : IP 64
1 : IP 65

A : Resolver

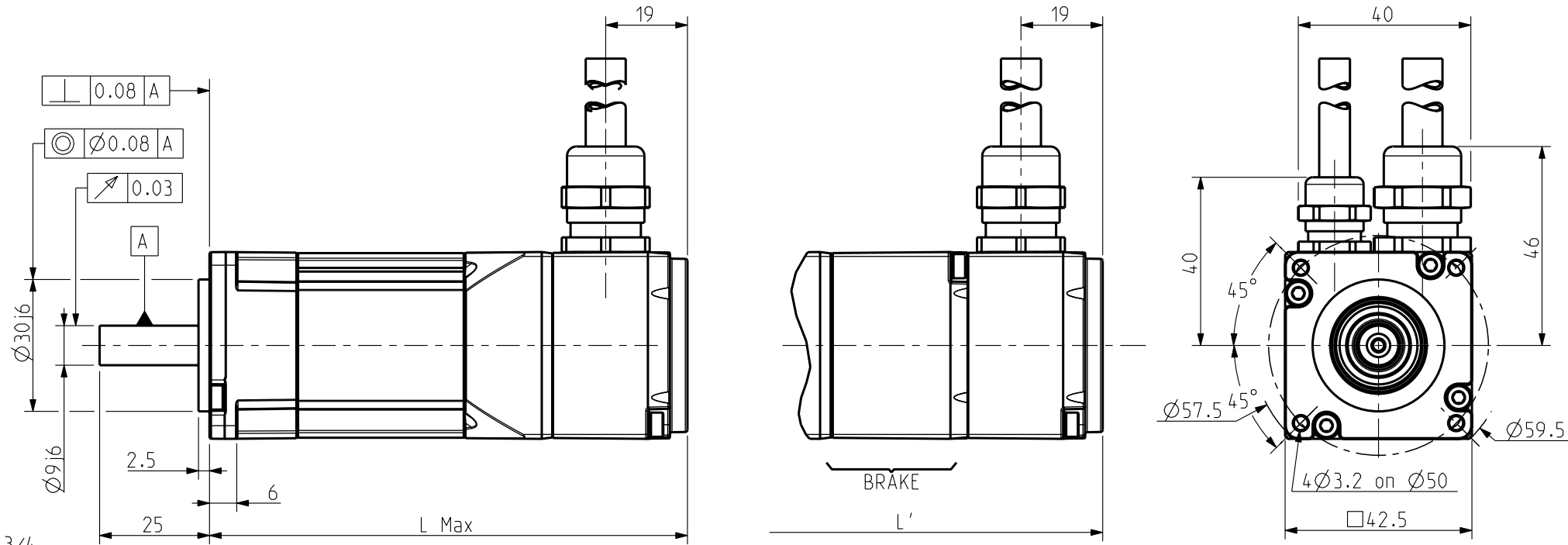
0 : Without Brake
3 : Brake

See connectors pin out and encoder settings on drawing 344993

Sheet : 1/3

This document is the property of PARVEX. Transmission as well as reproduction or copy is not permitted without written authorisation.	General tolerances	Drawn	26/11/09	BB	Visa	BB	Scale 3/4	 8 Avenue du Lac. BP 249 21007-DIJON cedex-FRANCE www.SSDrives.com	NX100 CONNECTOR VARIANT	Format	A3	344581	-
	DIN ISO 2768 mk	Modifications	A	AM23337	15/02/10	OD				3/4	Format		

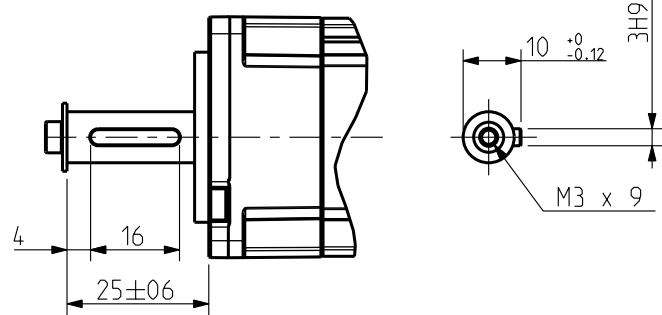
Feedback Letter : A



Scale 3/4

FEEDBACK OPTIONS

KEY



Scale 3/4

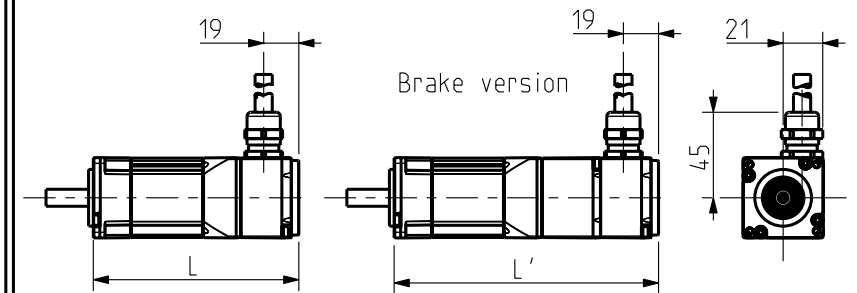
BRAKE Supply voltage : 24V $\pm 10\%$
Static torque

20 °C	0.4 Nm
100 °C	*

WEIGHT

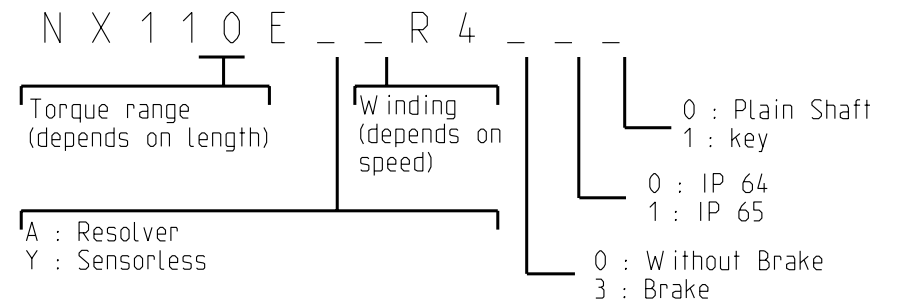
	NX110
No Brake	0.8 Kg
With Brake	1 Kg

Feedback Letter : Y



Scale 1/4

Feedback option (Feedback letter)	Resolver (A)	Sensorless (Y)
L (mm)	110	110
L' (mm)	141	141



WIRES INSIDE PVC SHEATH
OVERALL SHIELDING

See wire connection and encoder settings on drawing 344993

Sheet : 2/3

This document is the property of PARVEX. Transmission as well as reproduction or copy is not permitted without written authorisation.	General tolerances	Drawn	26/11/09	BB	Visa														
	DIN ISO 2768 mk	Modifications																	
		A	AM23337	15/02/10	OD														



NX100

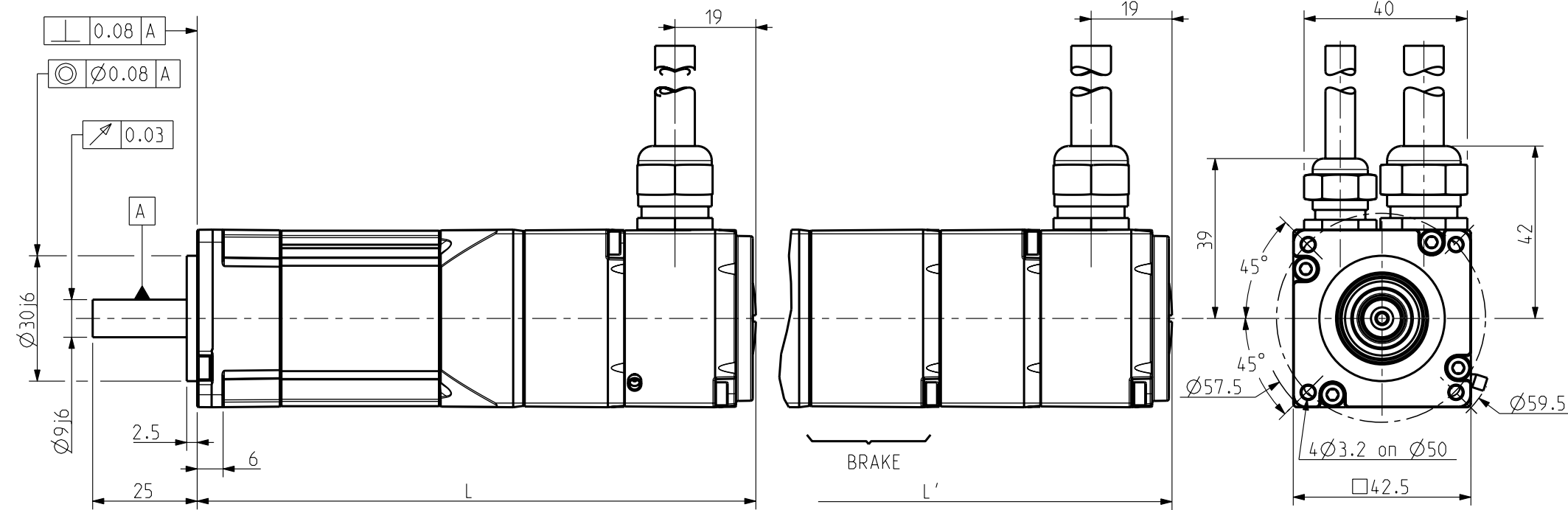
WIRES INSIDE PVC SHEATH

Format A3

344581

A

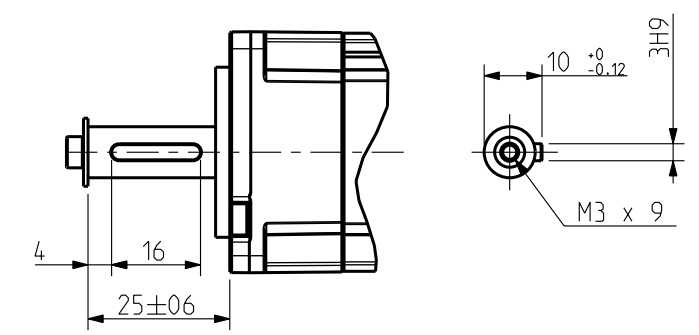
Feedback Letter : A



Scale 3/4

FEEDBACK OPTIONS

KEY



BRAKE Supply voltage : 24V $\pm 10\%$
Static torque

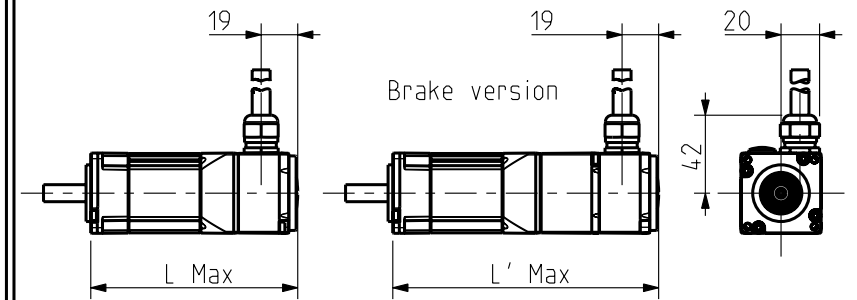
20 °C	0.4 Nm
100 °C	*

WEIGHT

	NX110
No Brake	0.8 Kg
With Brake	1 Kg

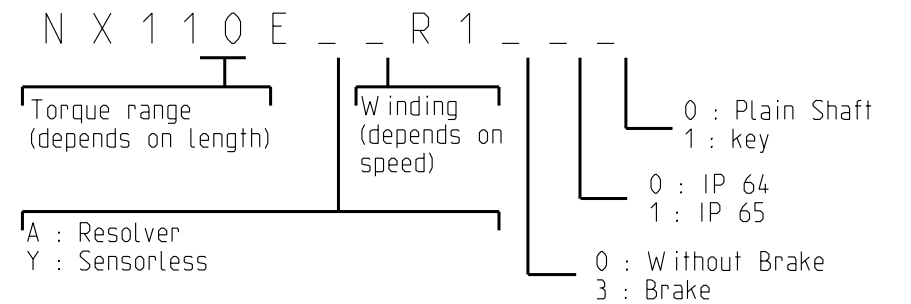
Scale 3/4

FEEDBACK LETTER : Y



Scale 1/4

Feedback option (Feedback letter)	Resolver (A)	Sensorless (Y)
L (mm)	134	110
L' (mm)	165	141

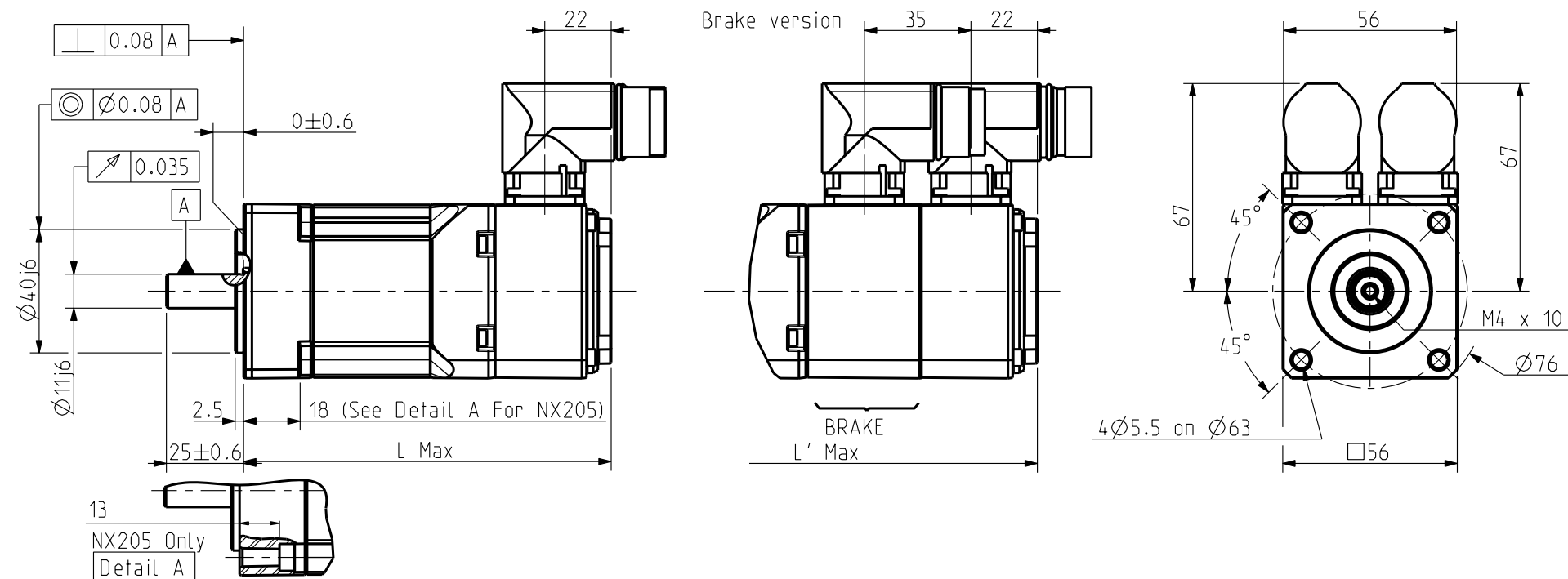


See wire connection and encoder settings on drawing 344993

Sheet : 3/3

This document is the property of PARVEX. Transmission as well as reproduction or copy is not permitted without written authorisation.	General tolerances	Drawn	26/11/09	BB	Visa						Scale 3/4	 8 Avenue du lac. BP 249 21007-DIJON cedex-FRANCE www.SSDrives.com	NX100 CABLE VARIANT	Format	A3	344581	-
	DIN ISO 2768 mk	Modifications	A	AM23337 15/02/10 OD													

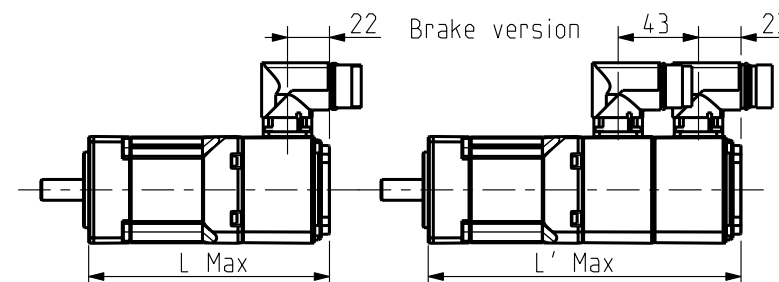
Feedback Letter : A / X



Scale 1/2

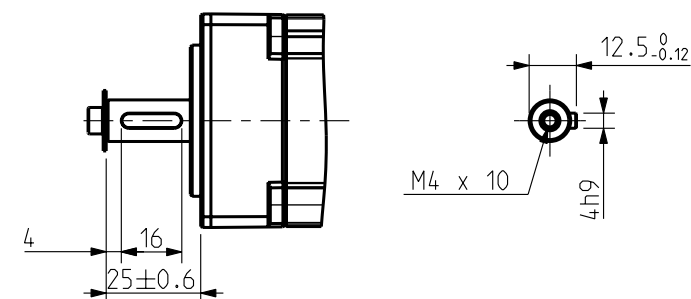
FEEDBACK OPTIONS

Feedback Letter : R/S



Scale 1/4

KEY



Scale 1/2

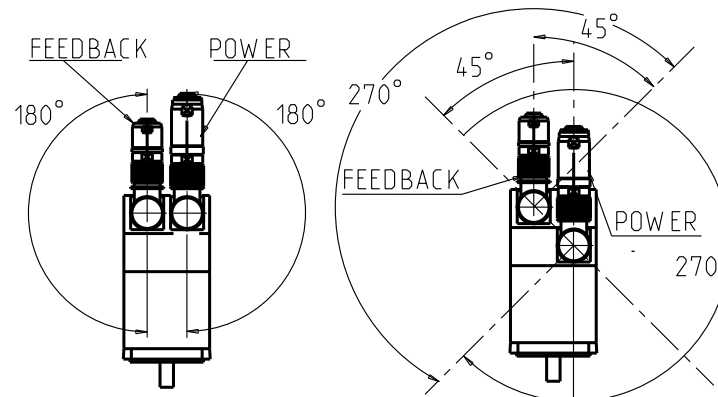
BRAKE Supply voltage : 24V ±10%
Static torque

20 °C	1 Nm
100 °C	*

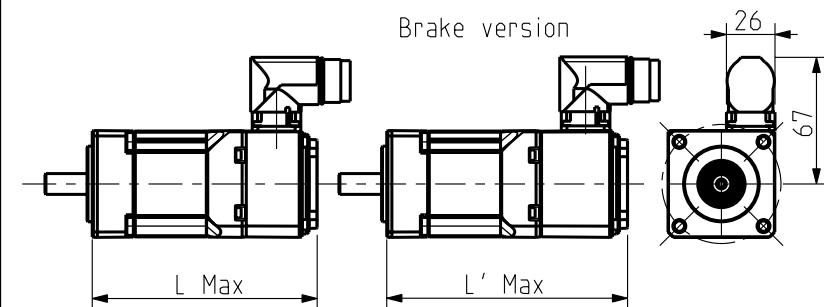
WEIGHT

	NX205	NX210
No Brake	0.8 Kg	1.3 Kg
With Brake	1.1 Kg	1.6 Kg

ORIENTATION OF CONNECTORS



Feedback Letter : Y



Scale : 1/4

	Feedback option (feedback letter)	Resolver (A)	Low cost encoder (X)	Hiperface SKS36 (R)	Hiperface SKM36 (S)	Sensorless (Y)
NX205	L (mm)		100		108	100
	L' (mm)		137		146	108
NX210	L (mm)		120		128	120
	L' (mm)		157		166	128

N X 2 _ _ E _ _ R 7 _ _ _

Torque range (depends on length)

Winding (depends on speed)

0 : Plain Shaft
1 : key

0 : IP 64
1 : IP 65

A : Resolver
R : Hiperface Singleturn SKS36
S : Hiperface Multiturn SKM36
X : Low Cost Encoder
Y : Sensorless

0 : Without Brake
3 : Brake
* : Thermal protection options on drawing 344993

See connectors pin out and encoder settings on drawing 344993

Sheet : 1/4

This document is the property of PARVEX. Transmission as well as reproduction or copy is not permitted without written authorisation.	General tolerances	Drawn	26/11/09	BB	Visa															
	DIN ISO 2768 mk	Modifications	C	AM23878 08/06/12 OD																
		A	AM23337 15/02/10 OD		D	AM 24108 22/04/13 SD														



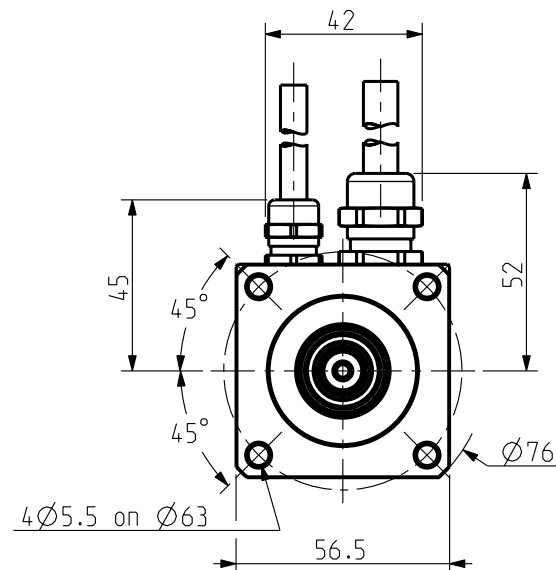
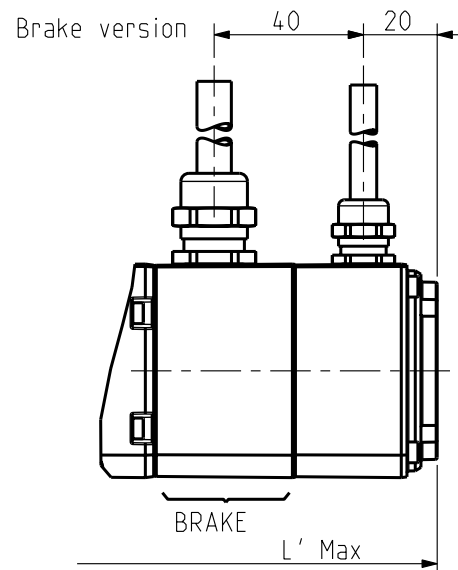
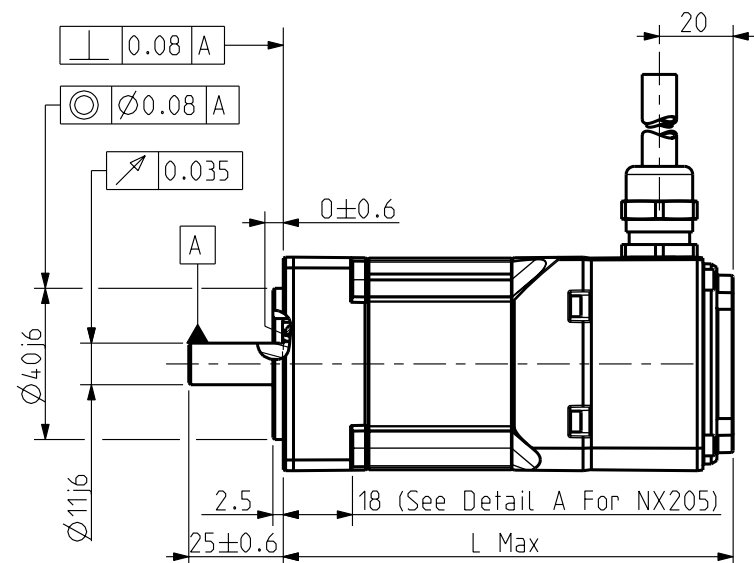
NX200

CONNECTOR VARIANT

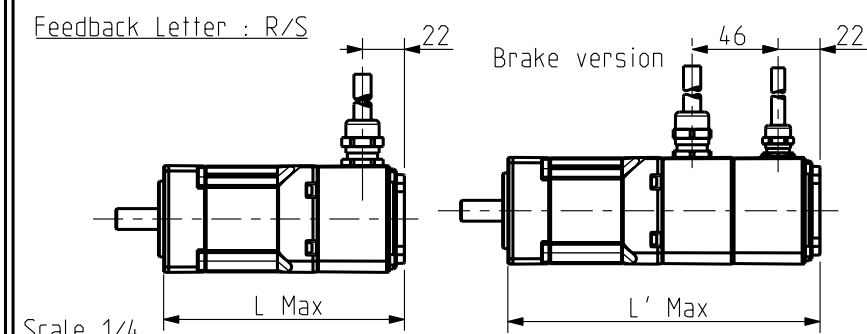
Format A3

344594

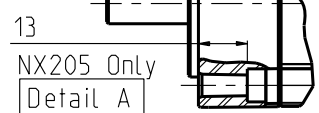
Feedback Letter : A / X



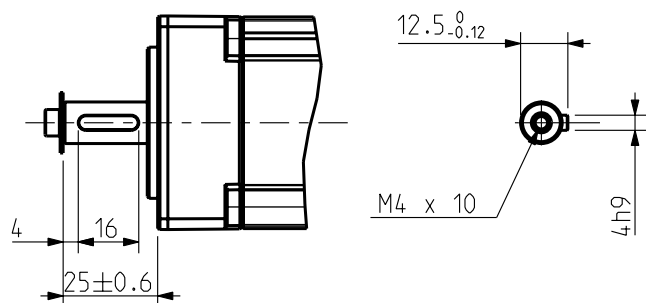
FEEDBACK OPTIONS



Scale 1/2



KEY



BRAKE Supply voltage : 24V ±10%
Static torque

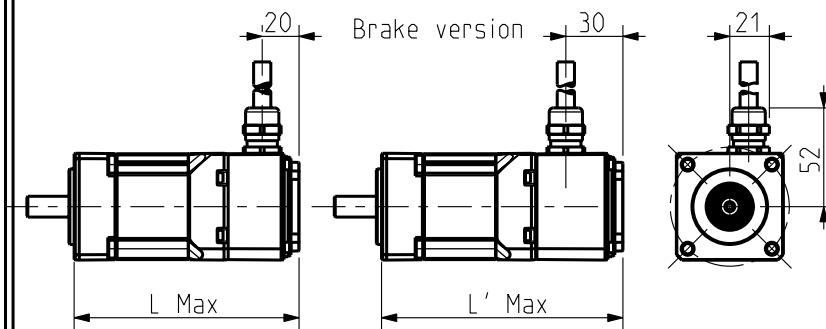
20 °C	1 Nm
100 °C	*

WEIGHT

	NX205	NX210
No Brake	0.8 Kg	1.3 Kg
With Brake	1.1 Kg	1.6 Kg

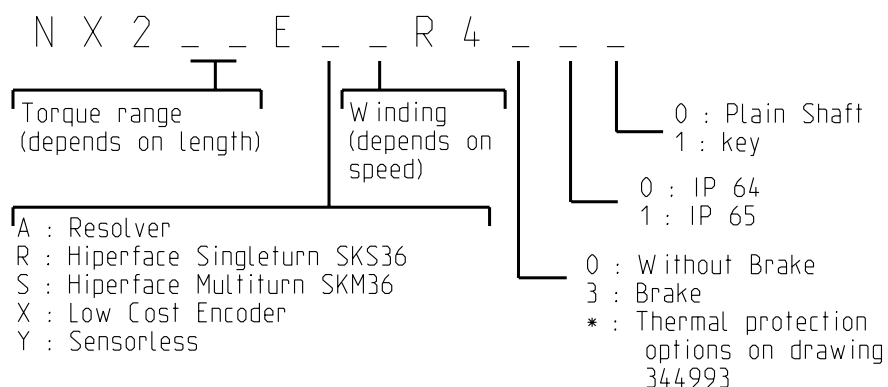
Scale 1/2

Feedback Letter : Y



Scale 1/4

	Feedback option (feedback letter)	Resolver (A)	Low cost encoder (X)	Hiperface SKS36 (R)	Hiperface SKM36 (S)	Sensorless (Y)
NX205	L (mm)	100		108		100
	L' (mm)	137		146		119
NX210	L (mm)	120		128		120
	L' (mm)	157		166		129



WIRES INSIDE PVC SHEATH
OVERALL SHIELDING

See wire connection out and encoder settings on drawing 344993

Sheet : 2/4

This document is the property of PARVEX. Transmission as well as reproduction or copy is not permitted without written authorisation.	General tolerances	Drawn	26/11/09	BB	Visa															
	DIN ISO 2768 mk	Modifications	C	AM23878 08/06/12 OD																
		A	AM23337 15/02/10 OD		D	AM 24108 22/04/13 SD														

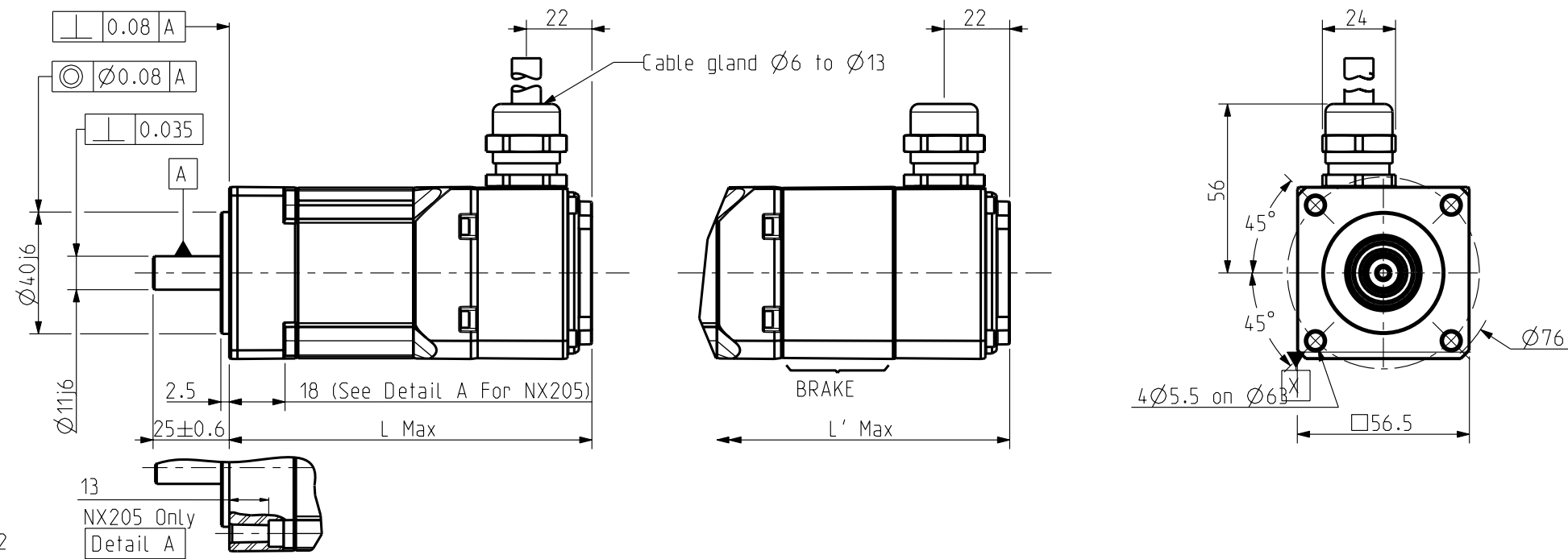


NX200

WIRES INSIDE PVC SHEATH

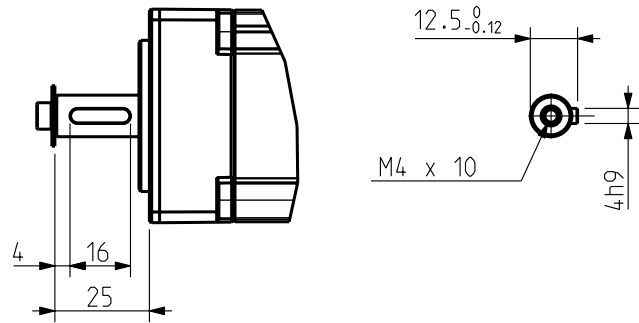
Format A3
344594

Feedback Letter : Y



Scale 1/2

13
NX205 Only
Detail A



Scale 1/2

BRAKE Supply voltage : 24V ±10%
Static torque

20 °C	1 Nm
100 °C	*

WEIGHT

	NX205	NX210
No Brake	0.8 Kg	1.3 Kg
With Brake	1.1 Kg	1.6 Kg

	Feedback option (feedback letter)	Sensorless (Y)
NX205	L (mm)	100
	L' (mm)	137
NX210	L (mm)	120
	L' (mm)	157

N X 2 _ _ E Y _ R 6 _ _ _

Torque range (depends on length) Winding (depends on speed)

0 : Plain Shaft
1 : key

0 : IP 64
1 : IP 65

0 : Without Brake
3 : Brake
* : Thermal protection options on drawing 344993

See connectors pin out and encoder settings on drawing 344993

Sheet : 3/4

This document is the property of PARVEX. Transmission as well as reproduction or copy is not permitted without written authorisation.

General tolerances
DIN ISO 2768 mk

Drawn	26/11/09	BB	Visa				
Modifications	C	AM23878 08/06/12 OD					
	B	AM23403 10/05/10 OD					
	A	AM23337 15/02/10 OD	D	AM 24108 22/04/13 SD			

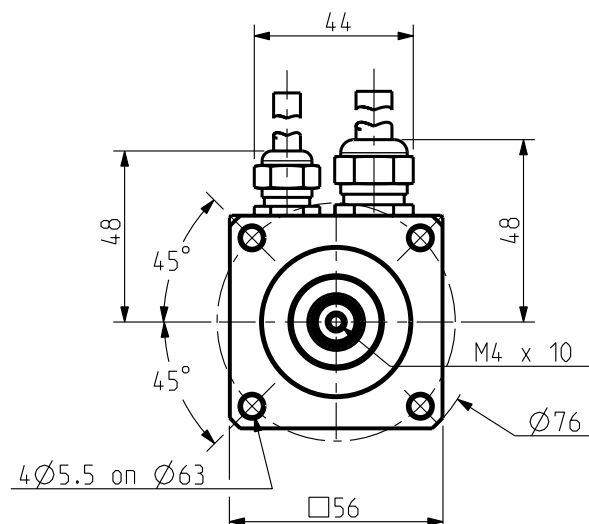
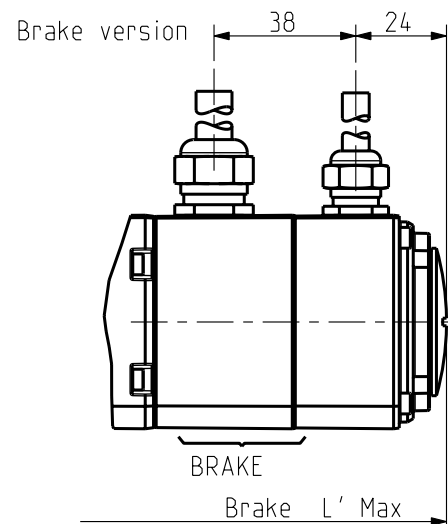
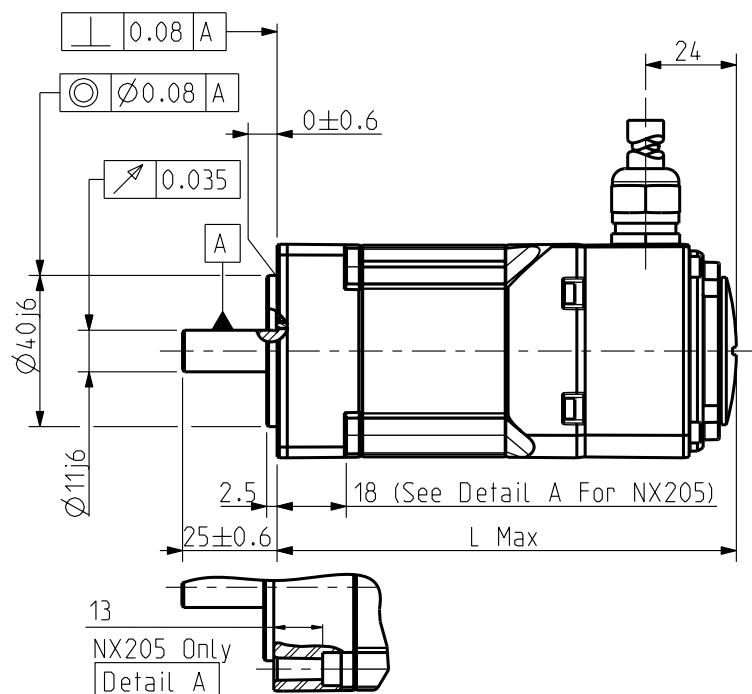
Scale
1/2

Parker
8 Avenue du Lac. BP 249
21007-DIJON cedex-FRANCE
www.SSDrives.com

NX200
SENSORLESS VARIANT

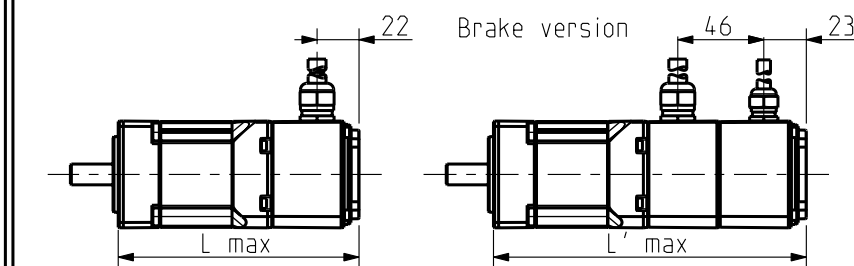
Format
A3
344594

Feedback Letter : A / X



FEEDBACK OPTIONS

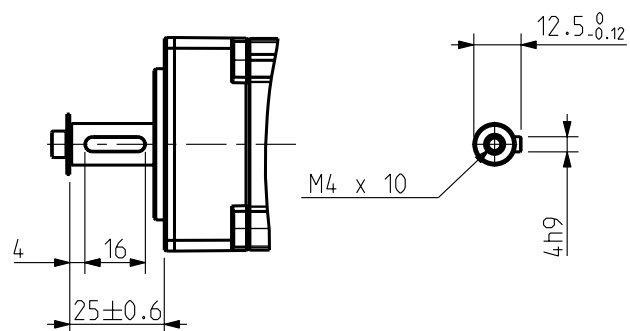
Feedback Letter : R/S



Scale 1/4

Scale 1/2

KEY



Scale 1/2

BRAKE Supply voltage : 24V ±10%
Static torque

20 °C	1 Nm
100 °C	*

WEIGHT

	NX205	NX210
No Brake	0.8 Kg	1.3 Kg
With Brake	1.1 Kg	1.6 Kg

	Feedback option (feedback letter)	Resolver (A)	Low cost encoder (X)	Hiperface SKS36 (R)	Hiperface SKM36 (S)
NX205	L (mm)		102		106
	L' (mm)		140		146
NX210	L (mm)		122		128
	L' (mm)		160		166

N X 2 _ _ E _ _ R 1 _ _ _

Torque range (depends on length)

Winding (depends on speed)

0 : Plain Shaft
1 : key

0 : IP 64
1 : IP 65

A : Resolver
R : Hiperface Singleturn SKS36
S : Hiperface Multiturn SKM36
X : Low Cost Encoder
Y : Sensorless

0 : Without Brake
3 : Brake
* : Thermal protection options on drawing 344993

See wire connection out and encoder settings on drawing 344993

Sheet : 4/4

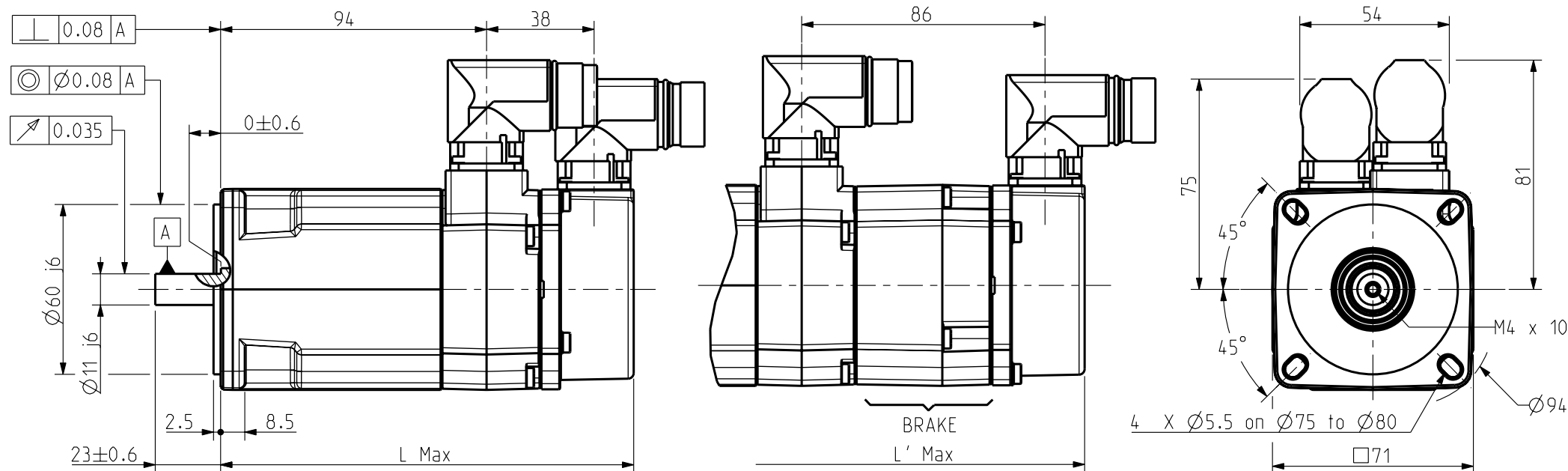
This document is the property of PARVEX. Transmission as well as reproduction or copy is not permitted without written authorisation.	General tolerances	Drawn	26/11/09	BB	Visa																
	DIN ISO 2768 mk	Modifications	C	AM23878 08/06/12 OD																	
			B	AM23403 10/05/10 OD																	
		A	AM23337 15/02/10 OD			D	AM 24108 22/04/13 SD														



NX200
CABLE VARIANT

Format A3
344594

Feedback letter : A/X

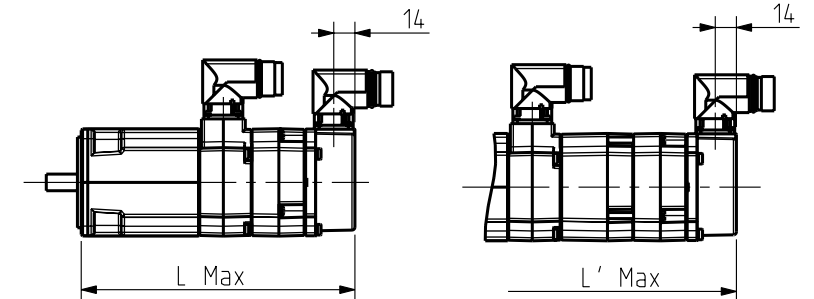


Scale 1:2

Brake Version

FEEDBACK OPTIONS

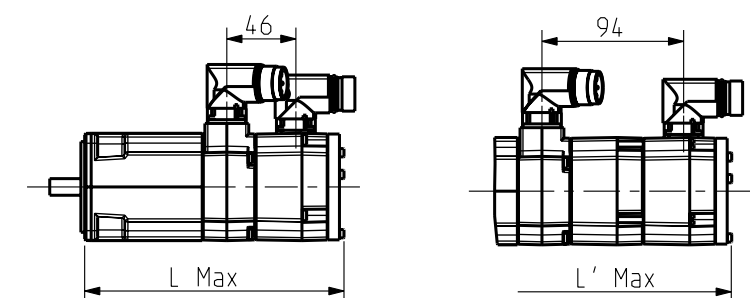
Feedback letter : R/S/V/W



Scale 1:5

Brake Version

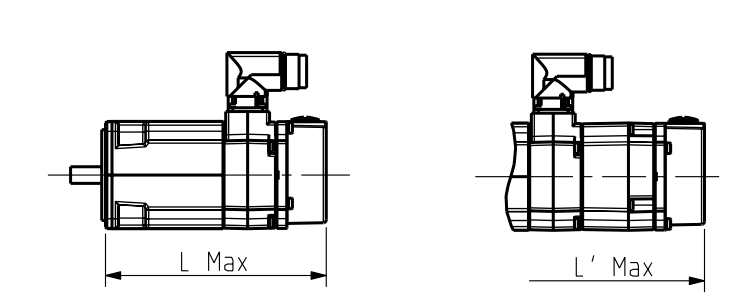
Feedback letter : T/U



Scale 1:5

Brake Version

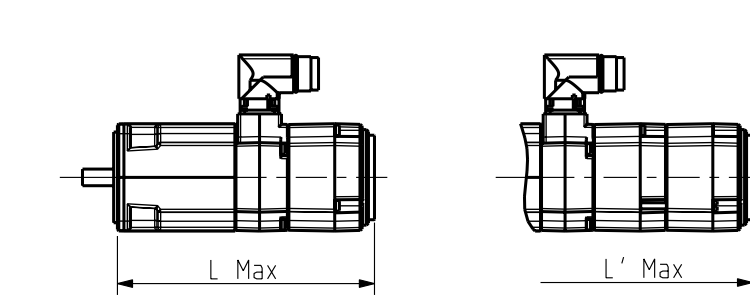
Feedback letter : Y



Scale 1:5

Brake Version

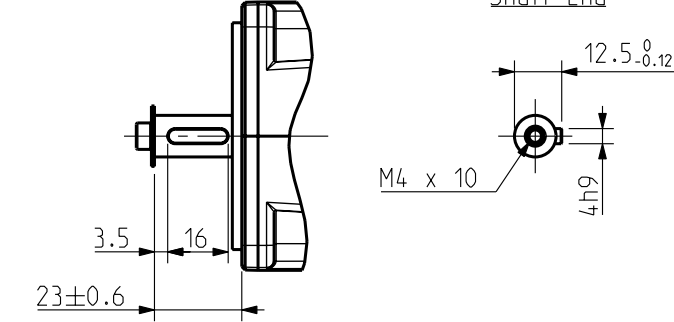
Feedback letter : P/Q



Scale 1:5

Brake Version

Key



Scale 1:2

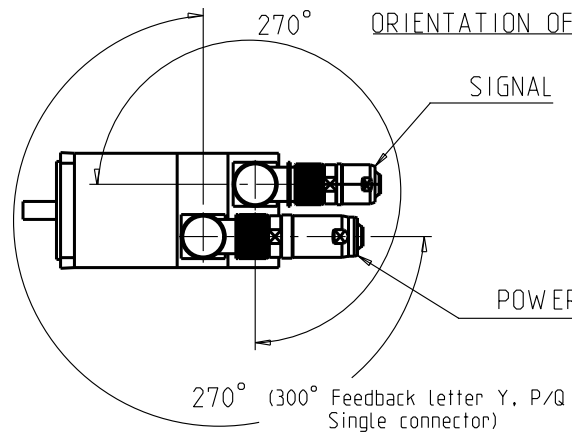
BRAKE Supply voltage : 24V ±10%
Static torque

20 °C	2 Nm
100 °C	1.8 Nm

Weight

	NX310
No Brake	2 Kg
With Brake	2.4 Kg

ORIENTATION OF CONNECTORS



Feedback options (feedback letter)	Resolver (A)	Low cost encoder (X)	Hiperface SKS36 (R)	Hiperface SKM36 (S)	Endat ECN1113 (V)	Endat EQN1125 (W)
L (mm)		147		182		176
L' (mm)		195		230		224

Feedback options (feedback letter)	Hiperface SRS50 (T)	Hiperface SRM50 (U)	Sensorless (Y)	Hiperface DSL SIL2 EKS36 (P)	Hiperface DSL SIL2 EKM36 (Q)
L (mm)		173	147		171
L' (mm)		221	195		219

N X 3 1 0 E _ _ R 7

- Torque range (depends on length)
- Winding (depends on speed)
- 0 : Plain Shaft
- 1 : key
- 0 : IP 64
- 1 : IP 65
- 0 : Without Brake
- 3 : Brake
- * : Thermal protection options on drawing 344993
- A : Resolver
- P : Hiperface Singleturn DSL SIL2 EKS36
- Q : Hiperface Multiturn DSL SIL2 EKM36
- R : Hiperface Singleturn SKS36
- S : Hiperface Multiturn SKM36
- T : Hiperface Singleturn SRS50
- U : Hiperface Multiturn SRM50
- V : Endat Singleturn ECN1113
- W : Endat Multiturn EQN1125
- X : Low Cost Encoder
- Y : Sensorless

See connectors pin out and encoder settings on drawing 344993

Sheet : 1/3

<p>THIS DOCUMENT CONTAINS INFORMATION THAT IS CONFIDENTIAL AND PROPRIETARY TO PARKER-HANNIFIN CORPORATION. THIS DOCUMENT IS FURNISHED ON THE UNDERSTANDING THAT THE DOCUMENT AND THE INFORMATION IT CONTAINS WILL NOT BE COPIED OR DISCLOSED TO OTHERS OR USED FOR ANY PURPOSE OTHER THAN CONDUCTING BUSINESS WITH PARKER-HANNIFIN CORPORATION, AND WILL BE RETURNED AND ALL FURTHER USE DISCONTINUED UPON REQUEST BY PARKER-HANNIFIN CORPORATION. THE RECIPIENT OF THIS DOCUMENT THROUGH ITS OWN ANALYSIS AND TESTING IS SOLELY RESPONSIBLE FOR MAKING THE FINAL SELECTION OF THE APPLICABLE SYSTEM AND COMPONENTS AND ASSURING THAT ALL PERFORMANCE, DURABLE, MAINTENANCE, SAFETY AND WARNING REQUIREMENTS OF THE APPLICATION ARE MET. COPYRIGHT PARKER-HANNIFIN CORPORATION. YEAR OF COPYRIGHT IS FIRST YEAR INDICATED ON THIS DOCUMENT. ALL RIGHTS RESERVED.</p>	General tolerances	Drawn	03/07/09	YG	Visa														
	DIN ISO 2768 mK	Modifications	C	AM24108 22/04/13 SD															
			B	AM23403 10/05/10 OD															
		A	AM23337 15/02/10 OD			D	AM24474 01/12/15 PR												

Scale 1:2

4 boulevard Eiffel - CS 40090
21604 Longvic Cedex - France
www.parker.com

NX300

CONNECTOR VARIANT

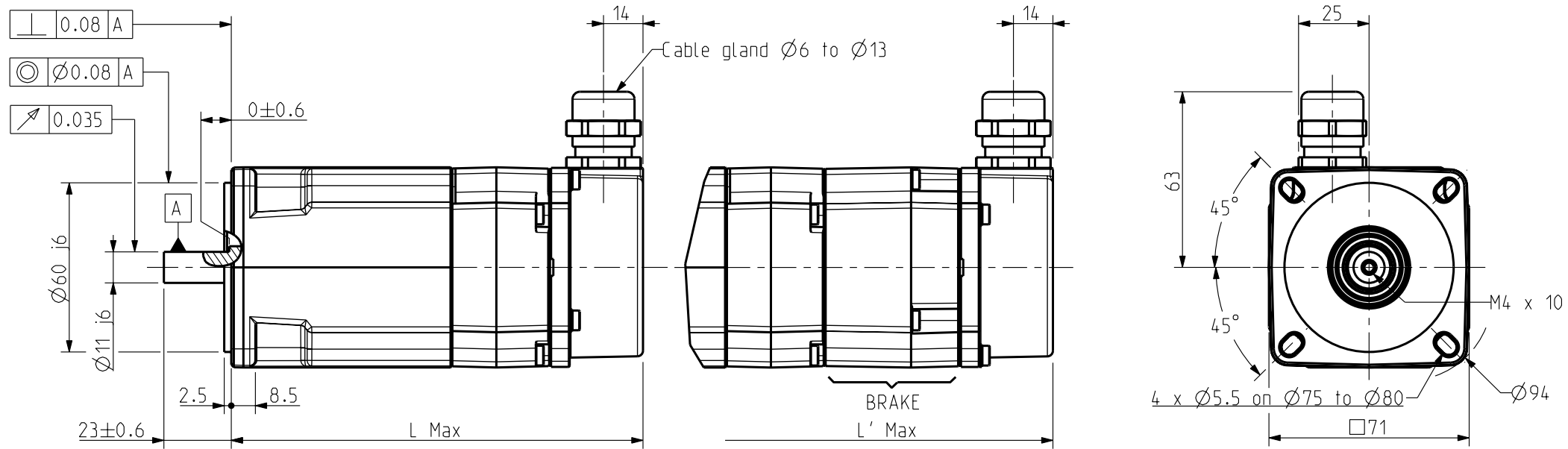
Format A3

F E S G I

x

344167

Feedback letter : Y



Scale 1:2

Brake Version

Key

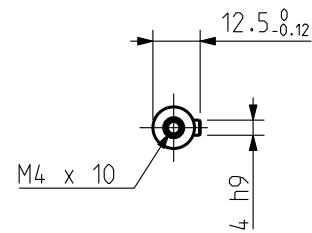
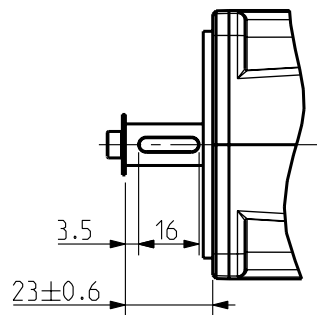
Shaft End

BRAKE Supply voltage : 24V ±10%
Static torque

20 °C	2 Nm
100 °C	1.8 Nm

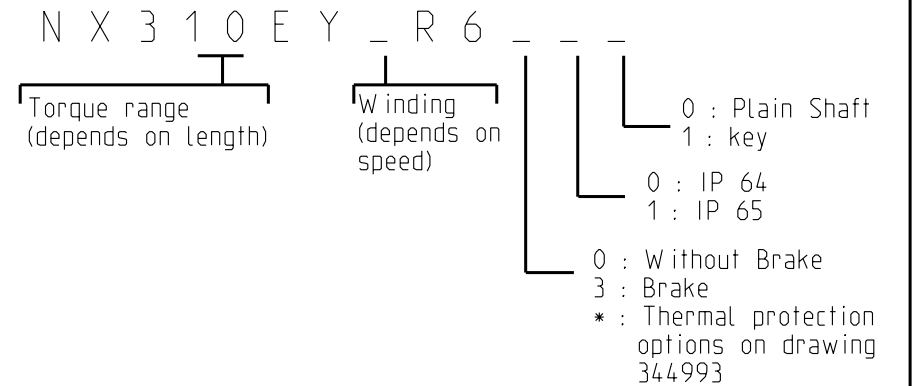
Weight

	NX310
No Brake	2 Kg
With Brake	2.4 Kg



Scale 1:2

Feedback option (feedback letter)	Sensorless (Y)
L (mm)	147
L' (mm)	195



See connectors pin out and encoder settings on drawing 344993

Sheet : 2/3

General tolerances
DIN ISO 2768 mk

Drawn	03/07/09	YG	Visa					
Modifications	C	AM24108	22/04/13	SD				
	B	AM23403	10/05/10	OD				
	A	AM23337	15/02/10	OD	D	AM24474	01/12/15	PR

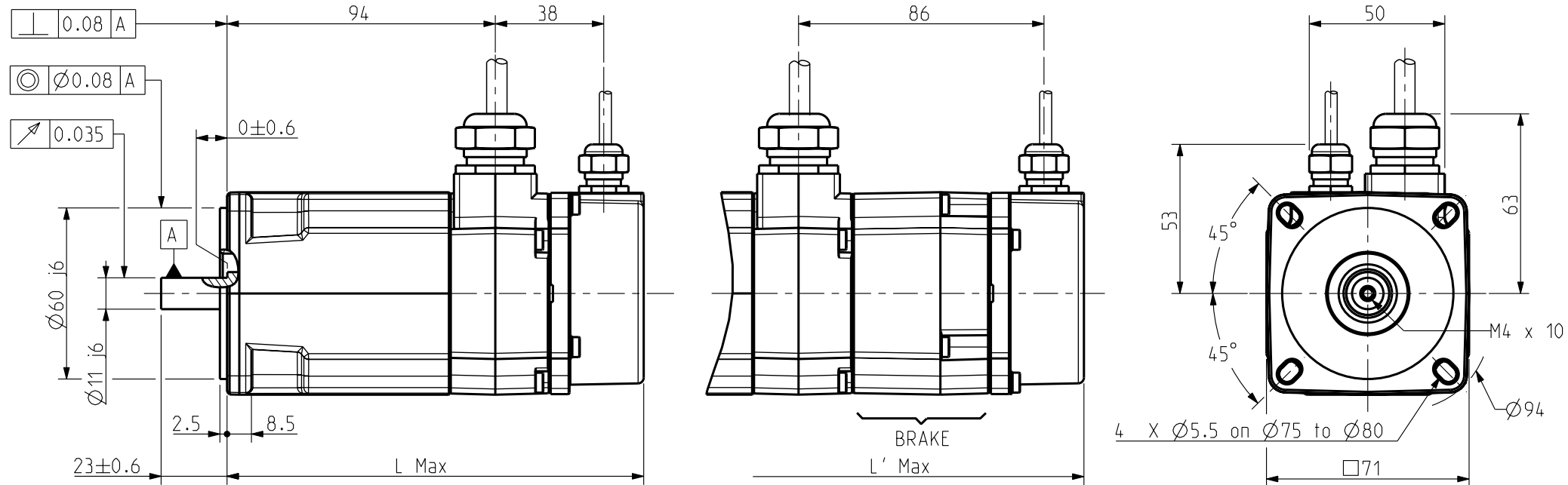
Scale 1:2

4 boulevard Eiffel - CS 40090
21604 Longvic Cedex - France
www.parker.com

NX300
SENSORLESS VARIANT

Format	F	E	S	G	I
A3	x				
344167					

Feedback letter : A/X

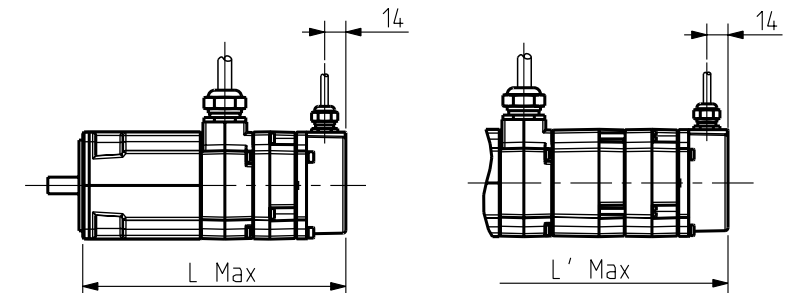


Scale 1:2

Brake Version

FEEDBACK OPTIONS

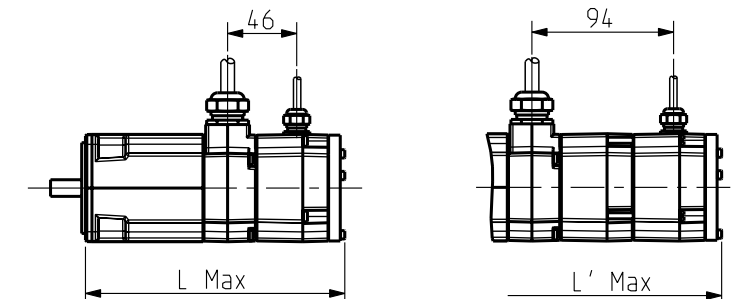
Feedback letter : R/S/V/W



Scale 1:5

Brake Version

Feedback letter : T/U



Scale 1:5

Brake Version

Key

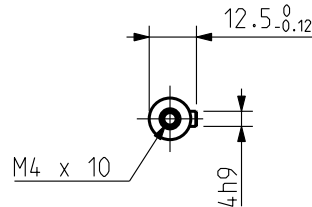
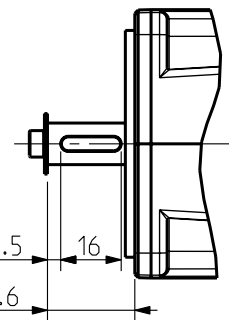
Shaft End

BRAKE Supply voltage : 24V ±10%
Static torque

20 °C	2 Nm
100 °C	1.8 Nm

Weight

	NX310
No Brake	2 Kg
With Brake	2.4 Kg



Scale 1:2

Feedback options (feedback letter)	Resolver (A)	Low cost encoder (X)	Hiperface SKS36 (R)	Hiperface SKM36 (S)	Endat ECN1113 (V)	Endat EQN1125 (W)	Hiperface SRS50 (T)	Hiperface SRM50 (U)
L (mm)		147		182		176		173
L' (mm)		195		230		224		221

N X 3 1 0 E _ _ R 1 _ _ _

Torque range (depends on length) Winding (depends on speed)

0 : Plain Shaft
1 : key

0 : IP 64
1 : IP 65

A : Resolver
R : Hiperface Singleturn SKS36
S : Hiperface Multiturn SKM36
T : Hiperface Singleturn SRS50
U : Hiperface Multiturn SRM50
V : Endat Singleturn ECN1113
W : Endat Multiturn EQN1125
X : Low Cost Encoder

0 : Without Brake
3 : Brake
* : Thermal protection options on drawing 344993

See connectors pin out and encoder settings on drawing 344993

Sheet : 3/3

General tolerances
DIN ISO 2768 mk

Drawn	03/07/09	YG	Visa					
Modifications	C	AM24108	22/04/13	SD				
	B	AM23403	10/05/10	OD				
	A	AM23337	15/02/10	OD	D	AM24474	01/12/15	PR

Scale 1:2

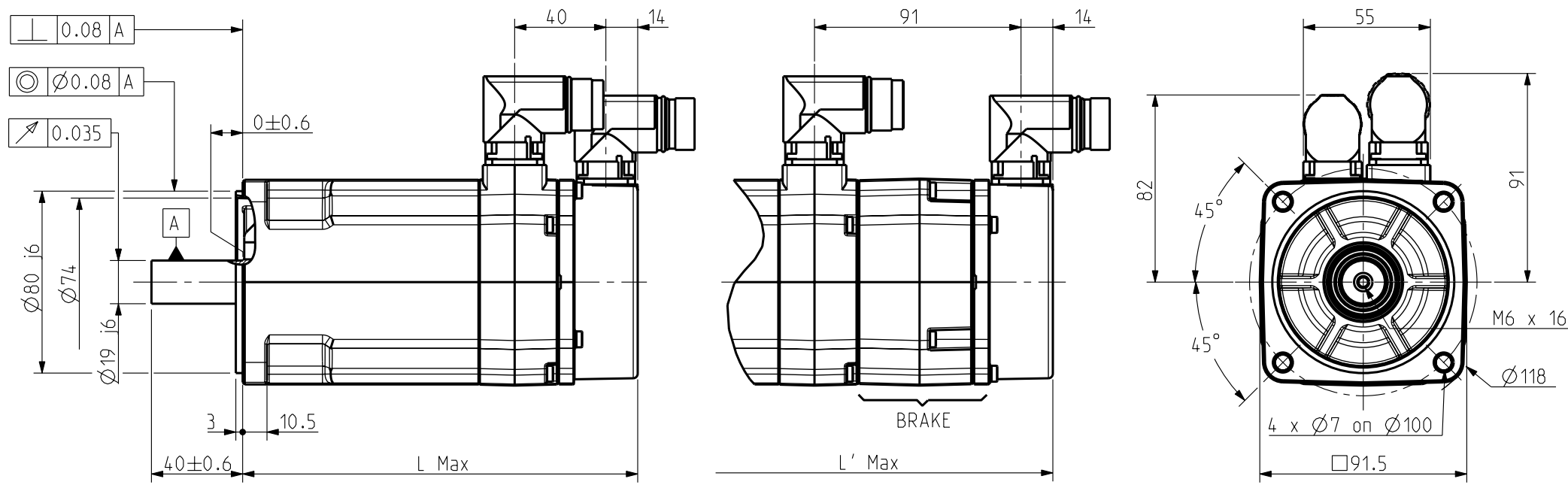
4 boulevard Eiffel - CS 40090
21604 Longvic Cedex - France
www.parker.com

NX300
CABLE VARIANT

Format	F	E	S	G	I
A3	x				
344167					

THIS DOCUMENT CONTAINS INFORMATION THAT IS CONFIDENTIAL AND PROPRIETARY TO PARKER-HANNIFIN CORPORATION. THIS DOCUMENT IS FURNISHED ON THE UNDERSTANDING THAT THE DOCUMENT AND THE INFORMATION IT CONTAINS WILL NOT BE COPIED OR DISCLOSED TO OTHERS OR USED FOR ANY PURPOSE OTHER THAN CONDUCTING BUSINESS WITH PARKER-HANNIFIN CORPORATION, AND WILL BE RETURNED AND ALL FURTHER USE DISCONTINUED UPON REQUEST BY PARKER-HANNIFIN CORPORATION. THE RECIPIENT OF THIS DOCUMENT THROUGH ITS OWN ANALYSIS AND TESTING IS SOLELY RESPONSIBLE FOR MAKING THE FINAL SELECTION OF THE APPLICABLE SYSTEM AND COMPONENTS AND ASSURING THAT ALL PERFORMANCE, DURABILITY, MAINTENANCE, SAFETY AND WARNING REQUIREMENTS OF THE APPLICATION ARE MET. COPYRIGHT PARKER-HANNIFIN CORPORATION. YEAR OF COPYRIGHT IS FIRST YEAR INDICATED ON THIS DOCUMENT. ALL RIGHTS RESERVED.

Feedback letter : A/X

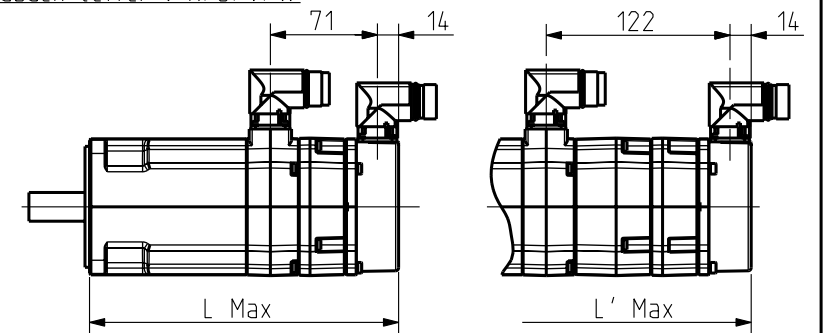


Scale 2:5

Brake Version

FEEDBACK OPTIONS

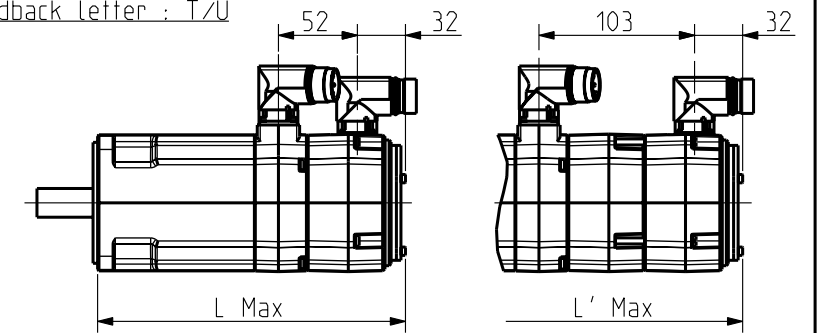
Feedback Letter : R/S/V/W



Scale 1:5

Brake Version

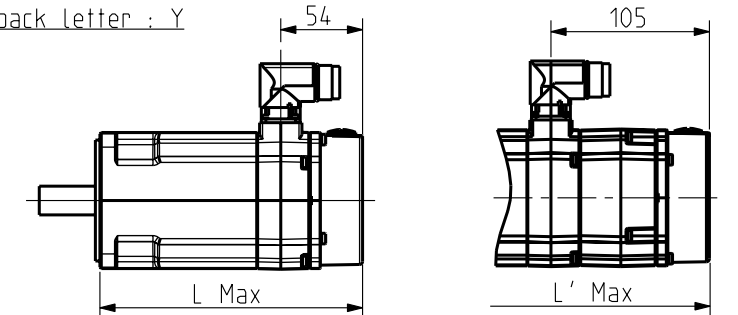
Feedback Letter : T/U



Scale 1:5

Brake Version

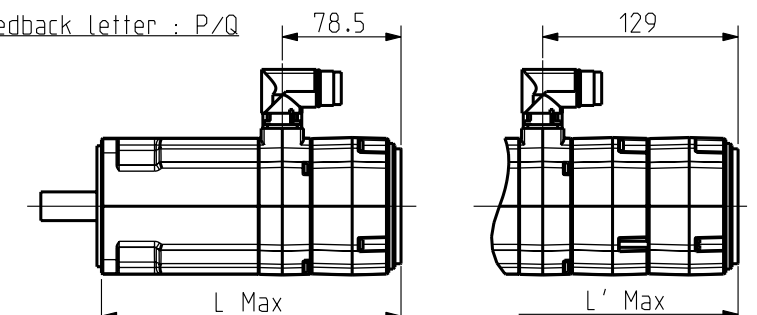
Feedback Letter : Y



Scale 1:5

Brake Version

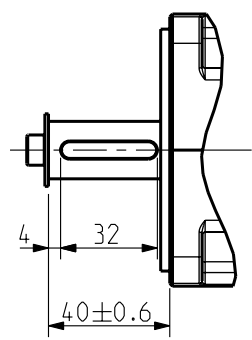
Feedback Letter : P/Q



Scale 1:5

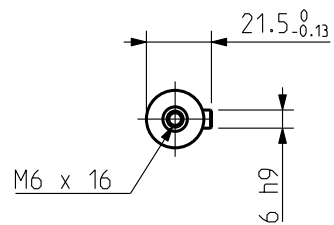
Brake Version

Key



Scale 2:5

Shaft End



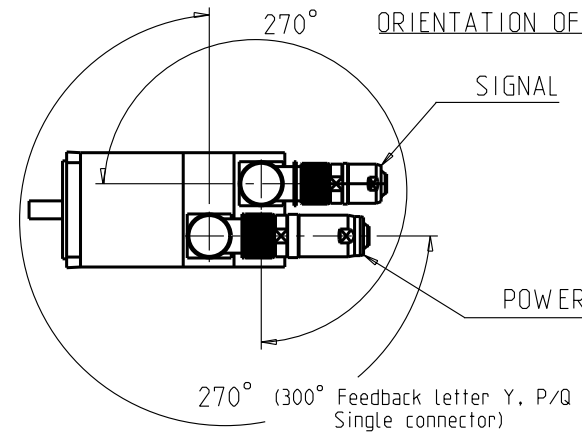
BRAKE Supply voltage : 24V ±10%
Static torque

	NX420	NX430
20 °C	5.5 Nm	5.5 Nm
100 °C	4 Nm	4 Nm

Weight

	NX420	NX430
No Brake	3.7 Kg	4.6 Kg
With Brake	4.5 Kg	5.4 Kg

ORIENTATION OF CONNECTORS



	Feedback options (feedback letter)	Resolver (A)	Low cost encoder (X)	Hiperface SKS36 (R)	Hiperface SKM36 (S)	Endat ECN1113 (V)	Endat EQN1125 (W)
NX420	L (mm)		175				206
	L' (mm)		226				261
NX430	L (mm)		200				231
	L' (mm)		251				286

	Feedback options (feedback letter)	Hiperface SRS50 (T)	Hiperface SRM50 (U)	Sensorless (Y)	Hiperface DSL SIL2 EKS36 (P)	Hiperface DSL SIL2 EKM36 (Q)
NX420	L (mm)		205	175		199.5
	L' (mm)		256	226		250.5
NX430	L (mm)		230	200		224.5
	L' (mm)		281	251		275.5

N X 4 _ _ E _ _ R 7 _ _ _

Torque range (depends on length)

Winding (depends on speed)

0 : Plain Shaft
1 : key

0 : IP 64
1 : IP 65

0 : Without Brake
3 : Brake
* : Thermal protection options on drawing 344993

A : Resolver
P : Hiperface Singleturn DSL SIL2 EKS36
Q : Hiperface Multiturn DSL SIL2 EKM36
R : Hiperface Singleturn SKS36
S : Hiperface Multiturn SKM36
T : Hiperface Singleturn SRS50
U : Hiperface Multiturn SRM50
V : Endat Singleturn ECN1113
W : Endat Multiturn EQN1125
X : Low Cost Encoder
Y : Sensorless

See connectors pin out and encoder settings on drawing 344993

Sheet : 1/4

General tolerances
DIN ISO 2768 mK

Drawn	03/07/09	OD	Visa				
Modifications	C	AM24108	22/04/13	SD			
	B	AM23403	10/05/10	OD	E	AM24474	01/12/15 PR
	A	AM23337	15/02/10	OD	D	AM24229	03/12/13 AH

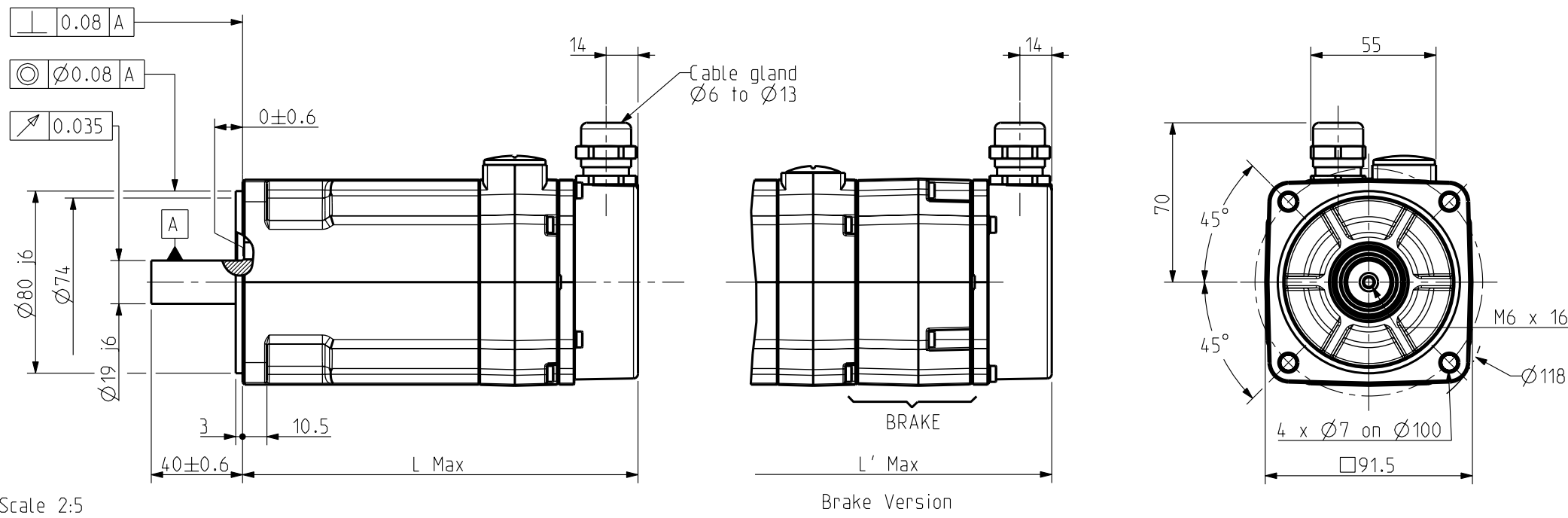
Scale 2:5

4 boulevard Eiffel - CS 40090
21604 Longvic Cedex - France
www.parker.com

NX400
CONNECTOR VARIANT

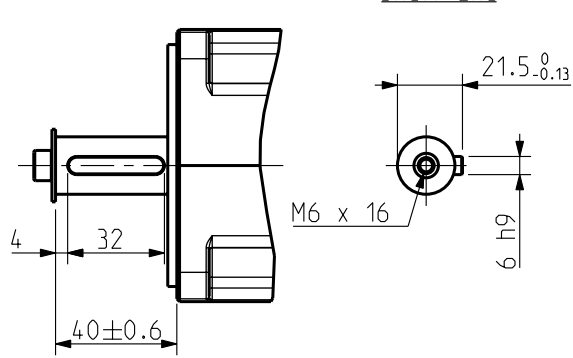
Format	F	E	S	G	I
A3	x				
					E

Feedback letter : Y



Scale 2:5

Key



Scale 2:5

BRAKE Supply voltage : 24V $\pm 10\%$
Static torque

	NX420	NX430
20 °C	5.5 Nm	5.5 Nm
100 °C	4 Nm	4 Nm

Weight

	NX420	NX430
No Brake	3.7 Kg	4.6 Kg
With Brake	4.5 Kg	5.4 Kg

	Feedback options (feedback letter)	Sensorless (Y)
NX420	L (mm)	175
	L' (mm)	226
NX430	L (mm)	200
	L' (mm)	251

N X 4 _ _ E Y _ R 6 _ _ _

Torque range (depends on length)

Winding (depends on speed)

0 : Plain Shaft
1 : key

0 : IP 64
1 : IP 65

0 : Without Brake
3 : Brake
* : Thermal protection options on drawing 344993

See connectors pin out and encoder settings on drawing 344993

Sheet : 2/4

General tolerances
DIN ISO 2768 mK

Drawn	03/07/09	OD	Visa				
Modifications	C	AM24108	22/04/13	SD			
	B	AM23403	10/05/10	OD	E	AM24474	01/12/15 PR
	A	AM23337	15/02/10	OD	D	AM24229	03/12/13 AH

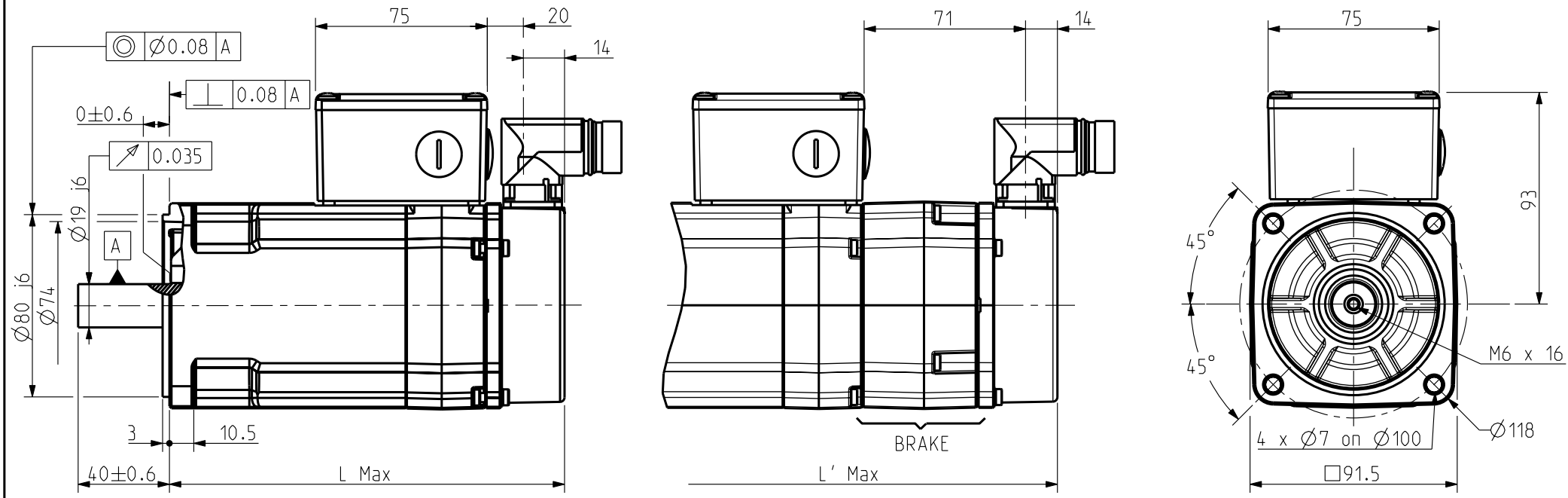
Scale 2:5

4 boulevard Eiffel - CS 40090
21604 Longvic Cedex - France
www.parker.com

NX400
SENSORLESS VARIANT

Format	F	E	S	G	I
A3	x				
344178					
E					

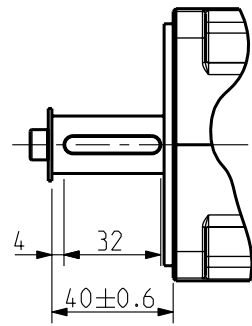
Feedback letter : A/X



Scale 2:5

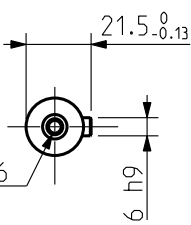
Brake Version

Key



Scale 2:5

Shaft End



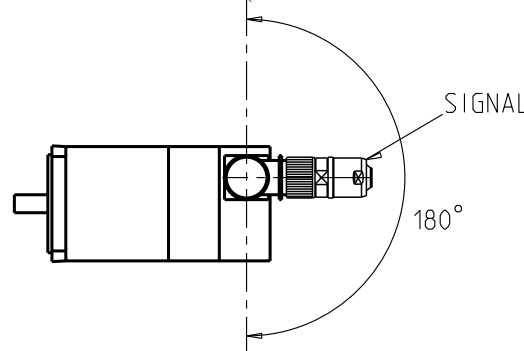
BRAKE Supply voltage : 24V ±10%
Static torque

	NX420	NX430
20 °C	5.5 Nm	5.5 Nm
100 °C	4 Nm	4 Nm

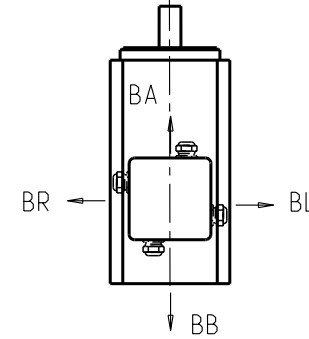
Weight

	NX420	NX430
No Brake	3.7 Kg	4.6 Kg
With Brake	4.5 Kg	5.4 Kg

ORIENTATION OF CONNECTOR



POWER TERMINAL BOX ORIENTATION



Standard orientation : BR

	Feedback options (feedback letter)	Resolver (A)	Low cost encoder (X)
NX420	L (mm)	175	
	L' (mm)	226	
NX430	L (mm)	200	
	L' (mm)	251	

N X 4 _ _ E _ _ R 6 _ _ _

Torque range (depends on length)

Winding (depends on speed)

0 : Plain Shaft
1 : key

0 : IP 64
1 : IP 65

A : Resolver
X : Low Cost Encoder

0 : Without Brake
3 : Brake
* : Thermal protection options on drawing 344993

See connectors pin out and encoder settings on drawing 344993

Sheet : 3/4

General tolerances
DIN ISO 2768 mK

Drawn	03/07/09	OD	Visa					
Modifications	C	AM24108 22/04/13 SD						
	B	AM23403 10/05/10 OD		E	AM24474 01/12/15 PR			
	A	AM23337 15/02/10 OD		D	AM24229 03/12/13 AH			

Scale 2:5

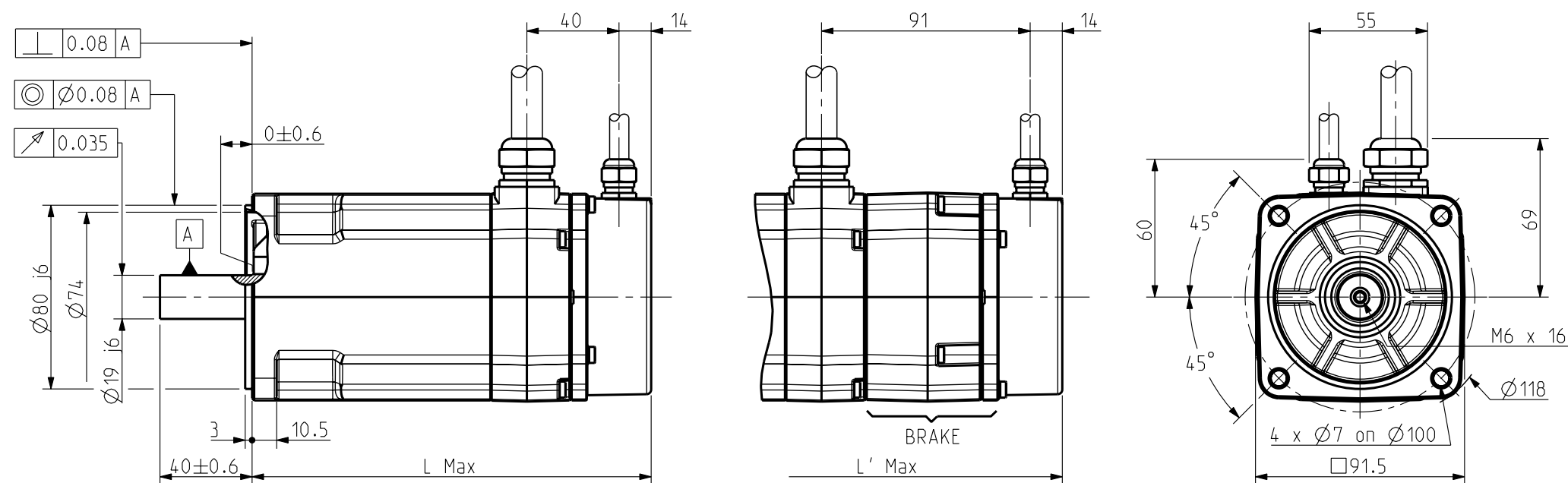
4 boulevard Eiffel - CS 40090
21604 Longvic Cedex - France
www.parker.com

NX400
TERMINAL BOX VARIANT

Format	F	E	S	G	I
A3		x			
344178					

E

Feedback letter : A/X

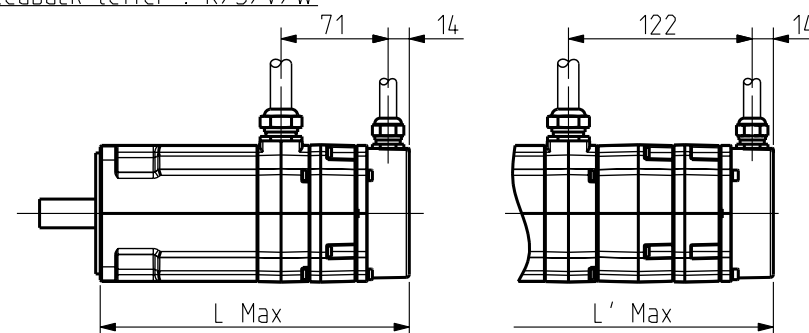


Scale 2:5

Brake Version

FEEDBACK OPTIONS

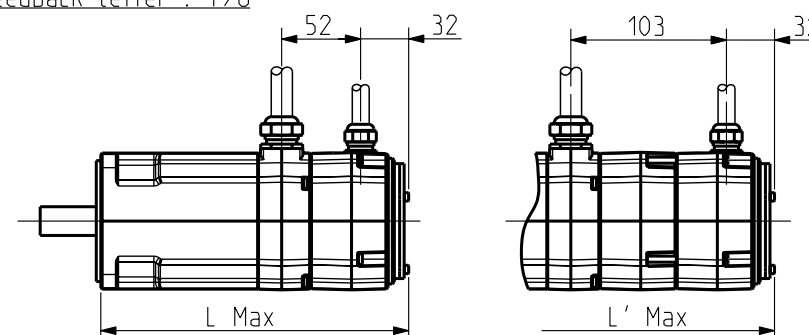
Feedback letter : R/S/V/W



Scale 1:5

Brake Version

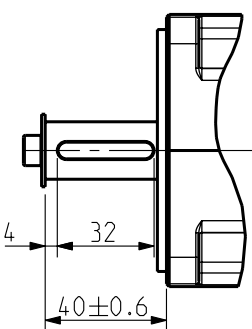
Feedback letter : T/U



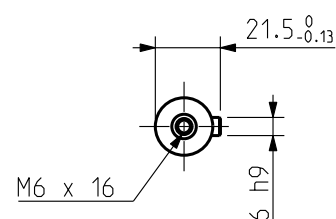
Scale 1:5

Brake Version

Key



Shaft End



BRAKE Supply voltage : 24V $\pm 10\%$
Static torque

	NX420	NX430
20 °C	5.5 Nm	5.5 Nm
100 °C	4 Nm	4 Nm

Weight

	NX420	NX430
No Brake	3.7 Kg	4.6 Kg
With Brake	4.5 Kg	5.4 Kg

Scale 2:5

	Feedback options (feedback letter)	Resolver (A)	Low cost encoder (X)	Hiperface SKS36 (R)	Hiperface SKM36 (S)	Endat ECN1113 (V)	Endat EQN1125 (W)	Hiperface SRS50 (T)	Hiperface SRM50 (U)
NX420	L (mm)	175				206			205
	L' (mm)	226				261			256
NX430	L (mm)	200				231			230
	L' (mm)	251				286			281

N X 4 _ _ E _ _ R 1 _ _

Torque range (depends on length)

Winding (depends on speed)

0 : Plain Shaft
1 : key

0 : IP 64
1 : IP 65

A : Resolver
R : Hiperface Singleturn SKS36
S : Hiperface Multiturn SKM36
T : Hiperface Singleturn SRS50
U : Hiperface Multiturn SRM50
V : Endat Singleturn ECN1113
W : Endat Multiturn EQN1125
X : Low Cost Encoder

0 : Without Brake
3 : Brake
* : Thermal protection options on drawing 344993

See connectors pin out and encoder settings on drawing 344993

Sheet : 4/4

General tolerances
DIN ISO 2768 mK

Drawn	03/07/09	OD	Visa					
Modifications	C	AM24108 22/04/13 SD						
	B	AM23403 10/05/10 OD		E	AM24474 01/12/15 PR			
	A	AM23337 15/02/10 OD		D	AM24229 03/12/13 AH			

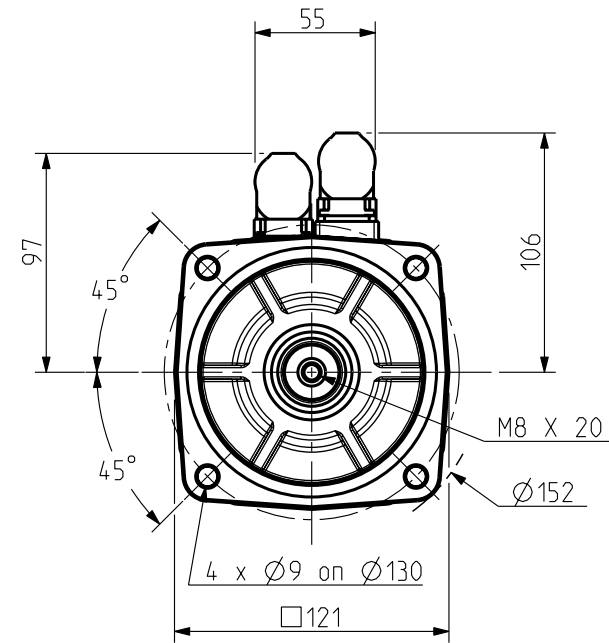
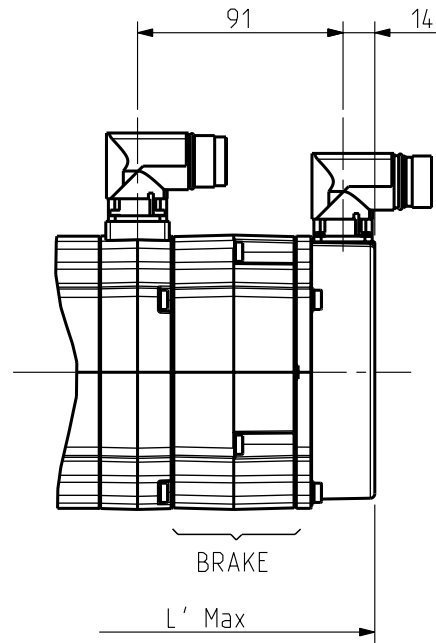
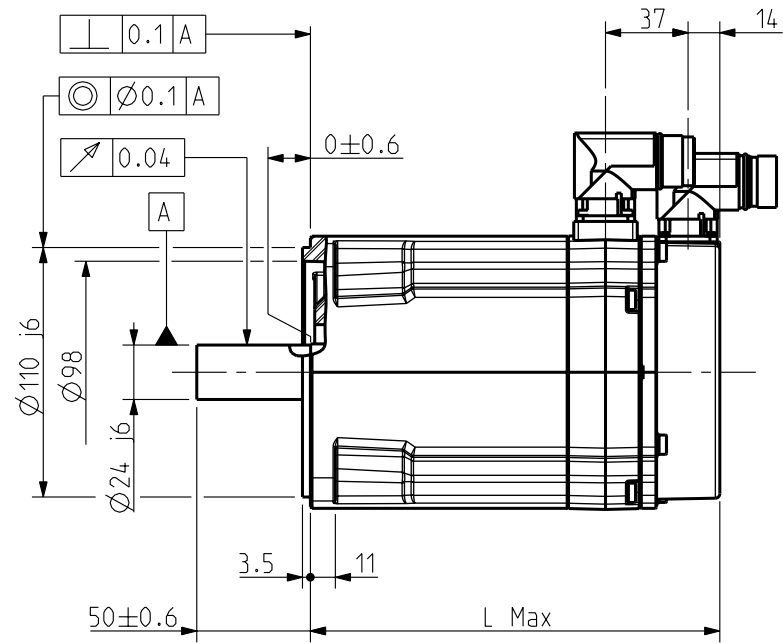
Scale 2:5

4 boulevard Eiffel - CS 40090
21604 Longvic Cedex - France
www.parker.com

NX400
CABLE VARIANT

Format	F	E	S	G	I
A3		x			
344178					
E					

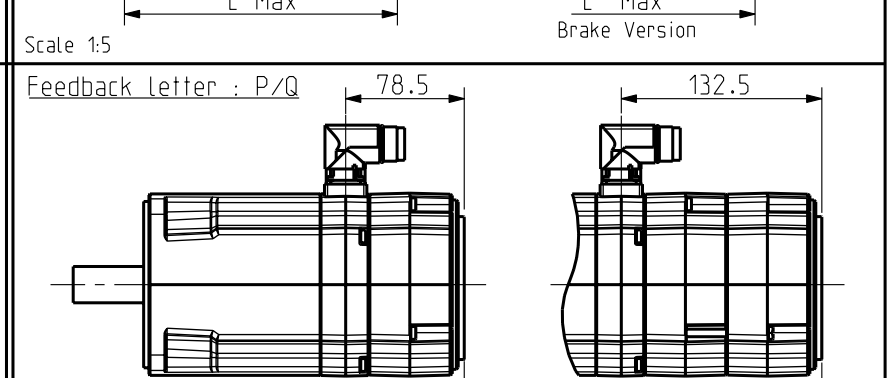
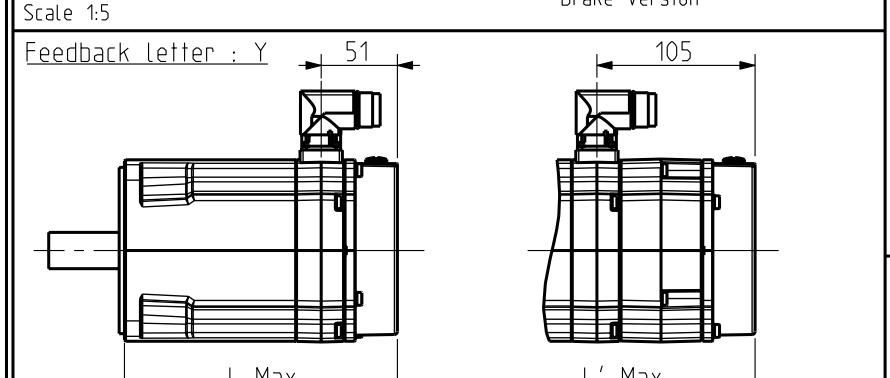
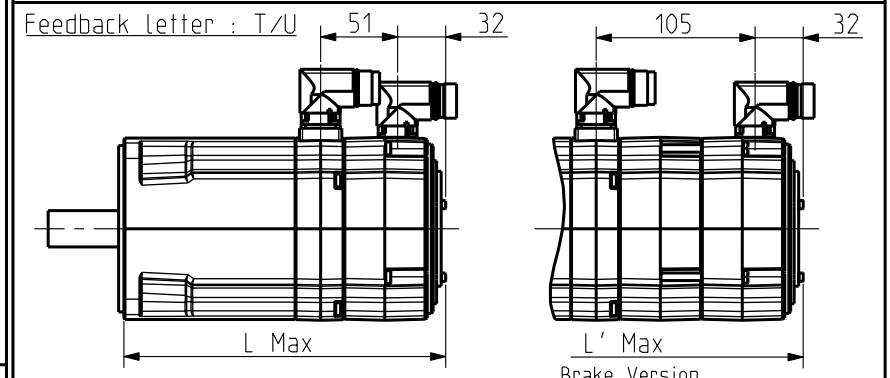
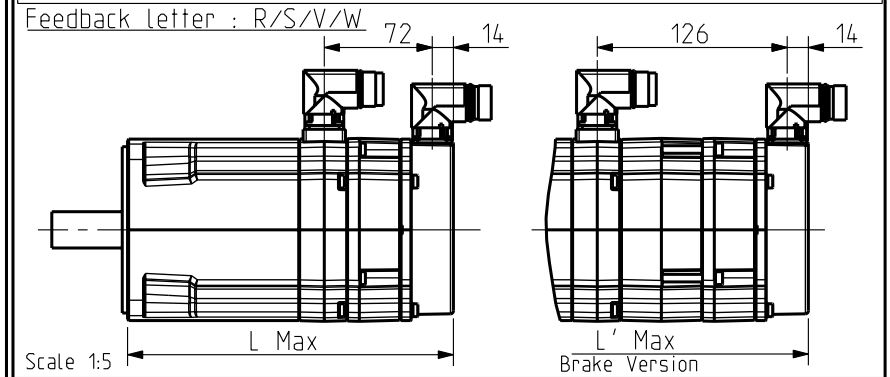
Feedback letter : A/X



Scale 3:10

Brake Version

FEEDBACK OPTIONS



KEY

SHAFT END

BRAKE

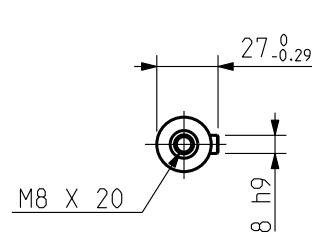
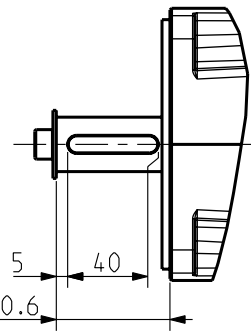
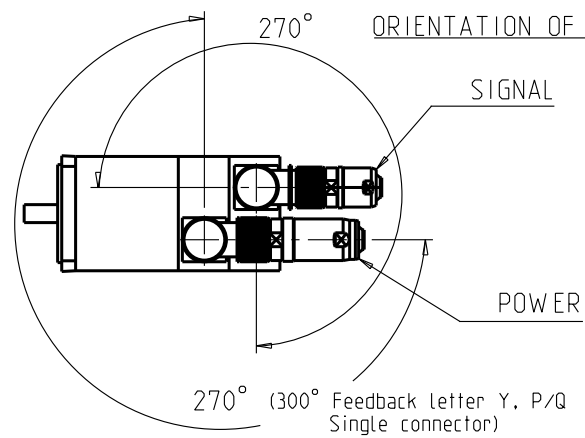
Supply voltage : 24V ±10%
Static torque

	NX620	NX630
20°C	12 Nm	12 Nm
100°C	8 Nm	8 Nm

WEIGHT

	NX620	NX630
No brake	6.9 Kg	8.8 Kg
With brake	8 Kg	10 Kg

ORIENTATION OF CONNECTORS



Scale 3:10

	Feedback options (feedback letter)	Resolver (A)	Low cost encoder (X)	Hiperface SKS36 (R)	Hiperface SKM36 (S)	Endat ECN1113 (V)	Endat EQN1125 (W)
NX620	L (mm)		181				216
	L' (mm)		236				271
NX630	L (mm)		210				245
	L' (mm)		265				300

	Feedback options (feedback letter)	Hiperface SRS50 (T)	Hiperface SRM50 (U)	Sensorless (Y)	Hiperface DSL SIL2 EKS36 (P)	Hiperface DSL SIL2 EKM36 (Q)
NX620	L (mm)		214	181		209.5
	L' (mm)		269	236		264
NX630	L (mm)		243	210		238.5
	L' (mm)		298	265		293

N X 6 _ _ E _ _ R 7 _ _ _

Torque range (depends on length)

Winding (depends on speed)

0 : Plain Shaft
1 : key

0 : IP 64
1 : IP 65

0 : Without Brake
3 : Brake

* : Thermal protection options on drawing 344993

A : Resolver
P : Hiperface Singleturn DSL SIL2 EKS36
Q : Hiperface Multiturn DSL SIL2 EKM36
R : Hiperface Singleturn SKS36
S : Hiperface Multiturn SKM36
T : Hiperface Singleturn SRS50
U : Hiperface Multiturn SRM50
V : Endat Singleturn ECN1113
W : Endat Multiturn EQN1125
X : Low Cost Encoder
Y : Sensorless

See connectors pin out and encoder settings on drawing 344993

sheet : 1/3

THIS DOCUMENT CONTAINS INFORMATION THAT IS CONFIDENTIAL AND PROPRIETARY TO PARKER-HANNIFIN CORPORATION. THIS DOCUMENT IS FURNISHED ON THE UNDERSTANDING THAT THE DOCUMENT AND THE INFORMATION IT CONTAINS WILL NOT BE COPIED OR DISCLOSED TO OTHERS OR USED FOR ANY PURPOSE OTHER THAN CONDUCTING BUSINESS WITH PARKER-HANNIFIN CORPORATION, AND WILL BE RETURNED AND ALL FURTHER USE DISCONTINUED UPON REQUEST BY PARKER-HANNIFIN CORPORATION. THE RECIPIENT OF THIS DOCUMENT THROUGH ITS OWN ANALYSIS AND TESTING IS SOLELY RESPONSIBLE FOR MAKING THE FINAL SELECTION OF THE APPLICABLE SYSTEM AND COMPONENTS AND ASSURING THAT ALL PERFORMANCE, DURABILITY, MAINTENANCE, SAFETY AND WARNING REQUIREMENTS OF THE APPLICATION ARE MET. COPYRIGHT PARKER-HANNIFIN CORPORATION. YEAR OF COPYRIGHT IS FIRST YEAR INDICATED ON THIS DOCUMENT. ALL RIGHTS RESERVED.

General tolerances
DIN ISO 2768 mK

Drawn	09/07/09	PR	Visa				
Modifications	C	AM24229 03/12/13 AH					
	B	AM24108 22/04/13 SD					
	A	AM23337 15/02/10 OD		D	AM24474 01/12/15 PR		

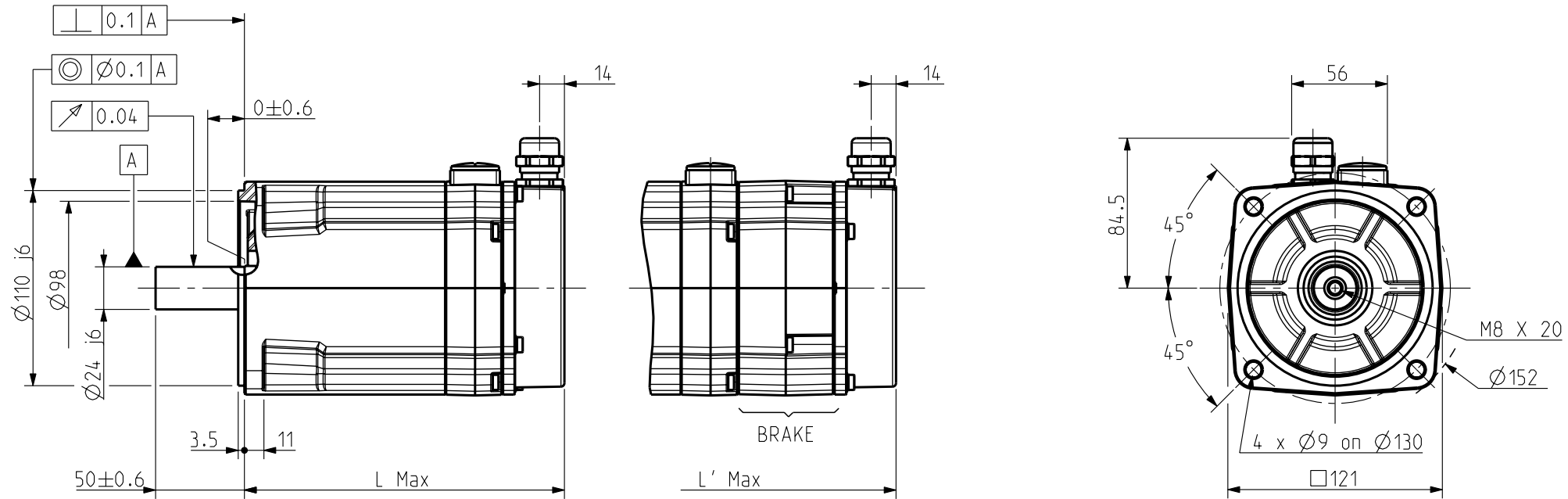
Scale
3:10

Parker
4 boulevard Eiffel - CS 40090
21604 Longvic Cedex - France
www.parker.com

NX600
CONNECTOR VARIANT

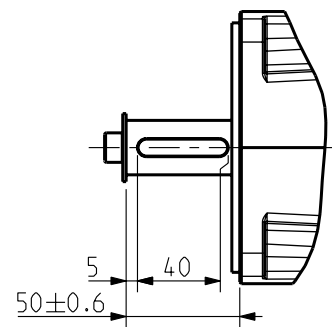
Format A3
F E S G I
x
344189

Feedback letter : Y

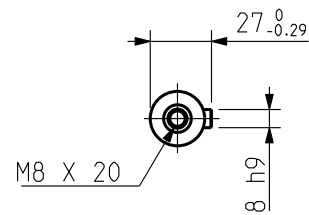


Scale 3:10

KEY



SHAFT END



BRAKE Supply voltage : 24V ±10%
Static torque

	NX620	NX630
20°C	12 Nm	12 Nm
100°C	8 Nm	8 Nm

WEIGHT

	NX620	NX630
No brake	6.9 Kg	8.8 Kg
With brake	8 Kg	10 Kg

Scale 3:10

	Feedback options (feedback letter)	Sensorless (Y)
NX620	L (mm)	181
	L' (mm)	236
NX630	L (mm)	210
	L' (mm)	265

N X 6 _ _ E Y _ R 6 _ _ _

Torque range (depends on length) Winding (depends on speed)

0 : Plain Shaft
1 : key
0 : IP 64
1 : IP 65
0 : Without Brake

* : Thermal protection options on drawing 344993

See connectors pin out and encoder settings on drawing 344993

sheet : 2/3

General tolerances
DIN ISO 2768 mK

Drawn	09/07/09	PR	Visa					
Modifications	C	AM24229 03/12/13 AH						
	B	AM24108 22/04/13 SD						
	A	AM23337 15/02/10 OD		D	AM24474 01/12/15 PR			

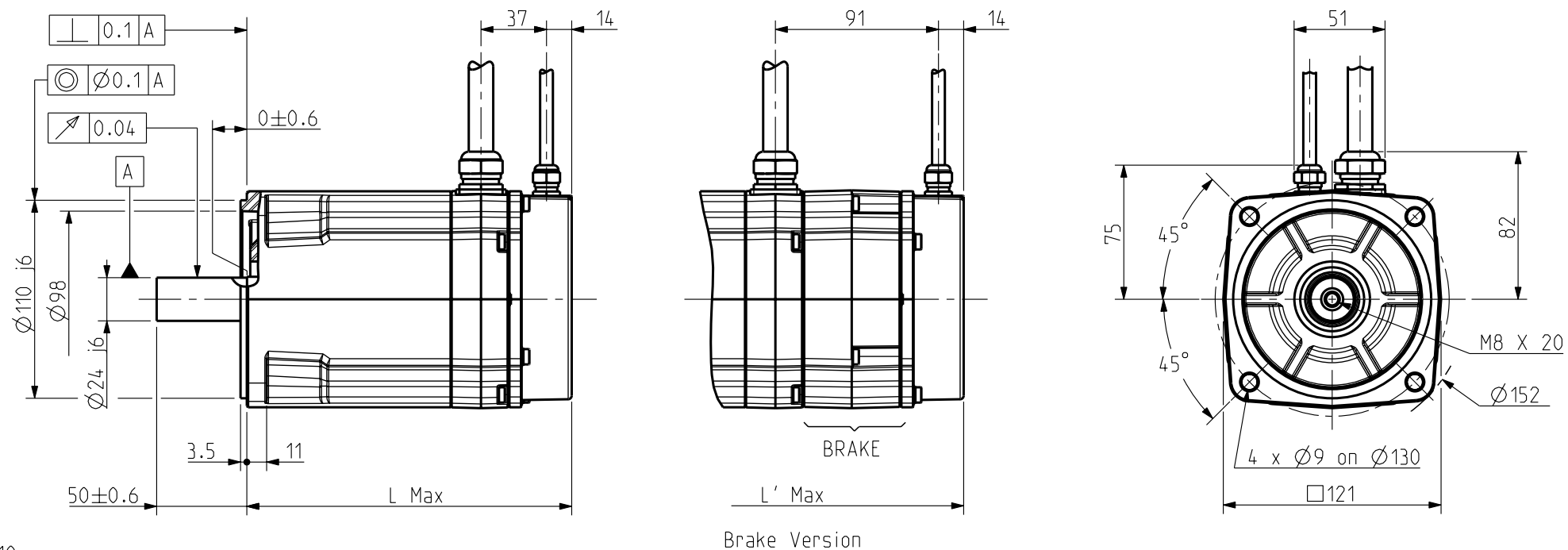
Scale 3:10

4 boulevard Eiffel - CS 40090
21604 Longvic Cedex - France
www.parker.com

NX600
SENSORLESS VARIANT

Format	F	E	S	G	I
A3	x				
344189					

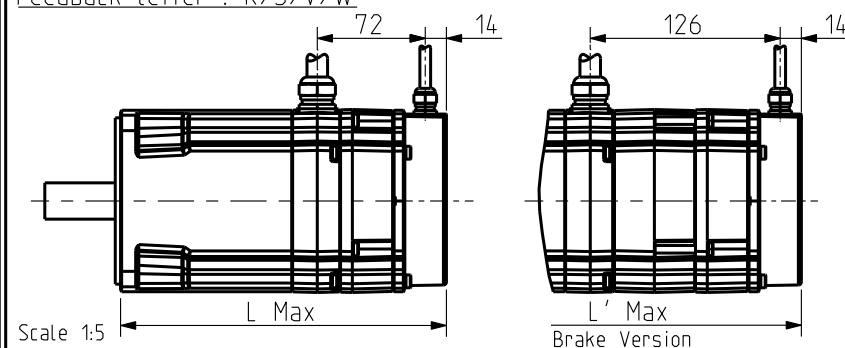
Feedback letter : A/X



Scale 3:10

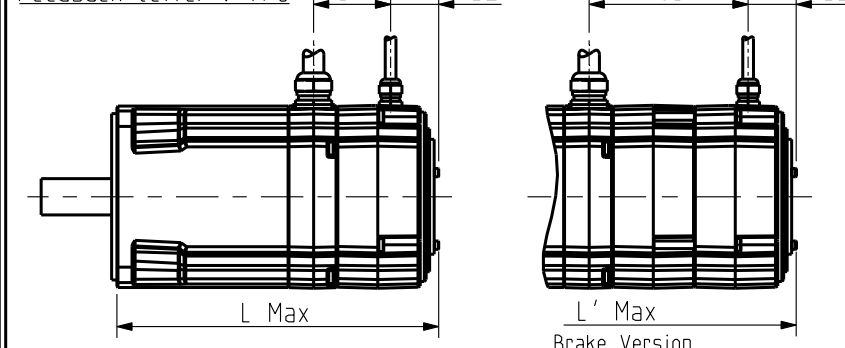
FEEDBACK OPTIONS

Feedback Letter : R/S/V/W



Scale 1:5

Feedback Letter : T/U



Scale 1:5

KEY

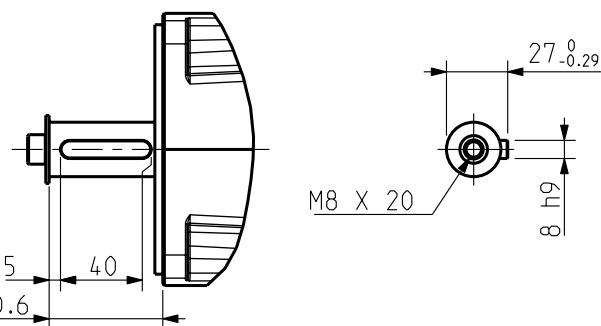
SHAFT END

BRAKE Supply voltage : 24V ±10%
Static torque

	NX620	NX630
20°C	12 Nm	12 Nm
100°C	8 Nm	8 Nm

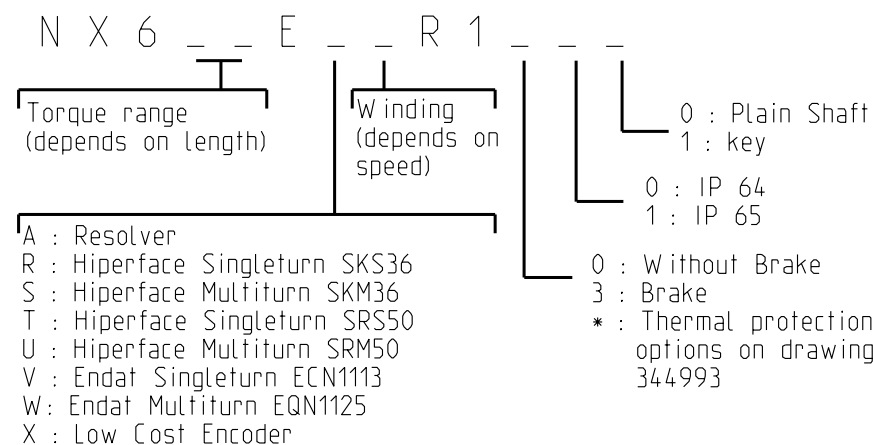
WEIGHT

	NX620	NX630
No brake	6.9 Kg	8.8 Kg
With brake	8 Kg	10 Kg



Scale 3:10

	Feedback options (feedback letter)	Resolver (A)	Low Cost Encoder (X)	Hiperface SKS36 (R)	Hiperface SKM36 (S)	Endat ECN1113 (V)	Endat EQN1125 (W)	Hiperface SRS50 (T)	Hiperface SRM50 (U)	Sensorless (Y)
NX620	L (mm)	181			216			214		181
	L' (mm)	236			271			269		236
NX630	L (mm)	210			245			243		210
	L' (mm)	265			300			298		265

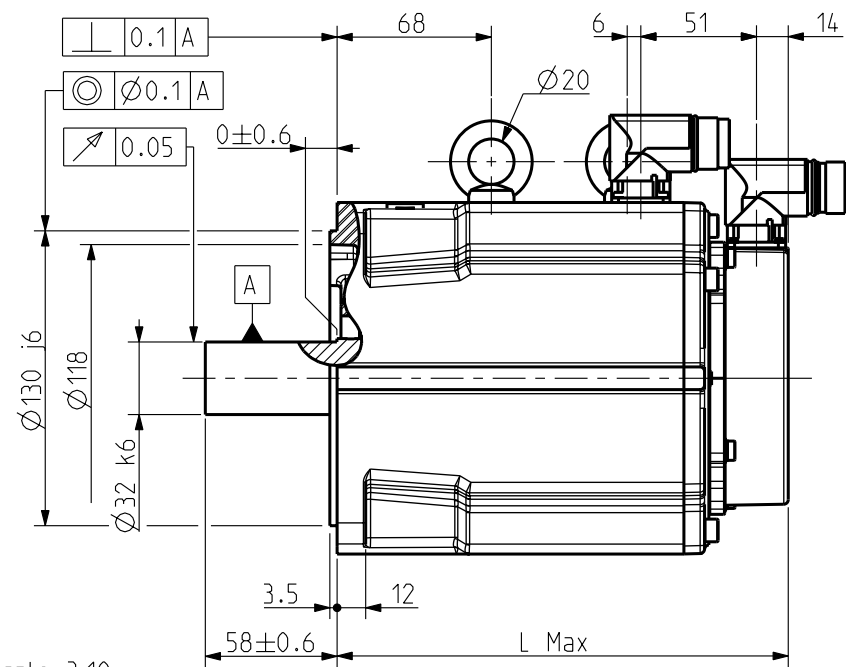


See connectors pin out and encoder settings on drawing 344993

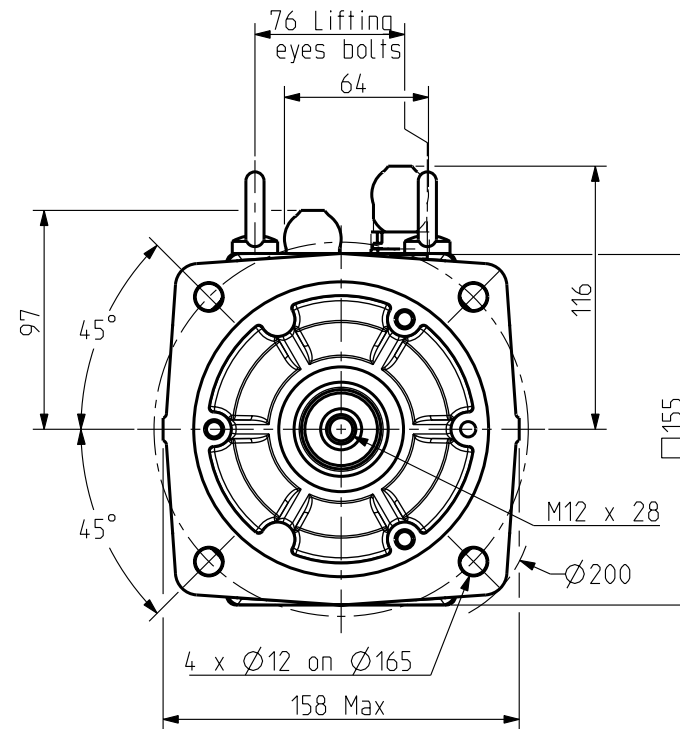
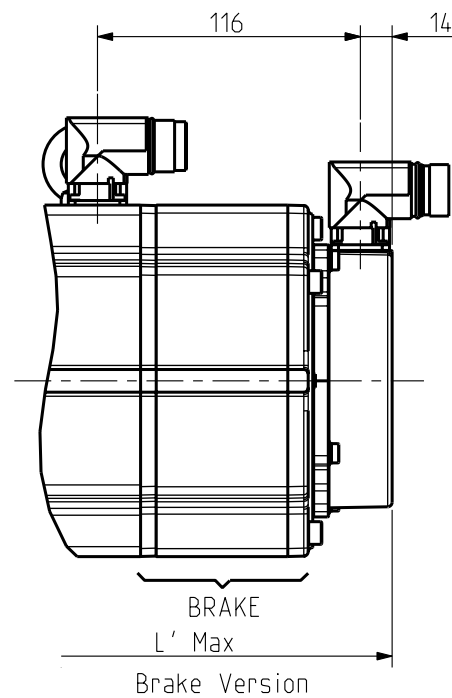
sheet : 3/3

THIS DOCUMENT CONTAINS INFORMATION THAT IS CONFIDENTIAL AND PROPRIETARY TO PARKER-HANNIFIN CORPORATION. THIS DOCUMENT IS FURNISHED ON THE UNDERSTANDING THAT THE DOCUMENT AND THE INFORMATION IT CONTAINS WILL NOT BE COPIED OR DISCLOSED TO OTHERS OR USED FOR ANY PURPOSE OTHER THAN CONDUCTING BUSINESS WITH PARKER-HANNIFIN CORPORATION, AND WILL BE RETURNED AND ALL FURTHER USE DISCONTINUED UPON REQUEST BY PARKER-HANNIFIN CORPORATION. THE RECIPIENT OF THIS DOCUMENT THROUGH ITS OWN ANALYSIS AND TESTING IS SOLELY RESPONSIBLE FOR MAKING THE FINAL SELECTION OF THE APPLICABLE SYSTEM AND COMPONENTS AND ASSURING THAT ALL PERFORMANCE, DURABILITY, MAINTENANCE, SAFETY AND WARNING REQUIREMENTS OF THE APPLICATION ARE MET. COPYRIGHT PARKER-HANNIFIN CORPORATION. YEAR OF COPYRIGHT IS FIRST YEAR INDICATED ON THIS DOCUMENT. ALL RIGHTS RESERVED.	General tolerances DIN ISO 2768 mK	Drawn 09/07/09 PR Visa Modifications C AM24229 03/12/13 AH B AM24108 22/04/13 SD A AM23337 15/02/10 OD	09/07/09 PR Visa D AM24474 01/12/15 PR	Scale 3:10 4 boulevard Eiffel - CS 40090 21604 Longvic Cedex - France www.parker.com	NX600 CABLE VARIANT	Format A3 F E S G I x	344189	D
--	---------------------------------------	--	---	---	------------------------	-----------------------------	--------	---

Feedback letter : A/X

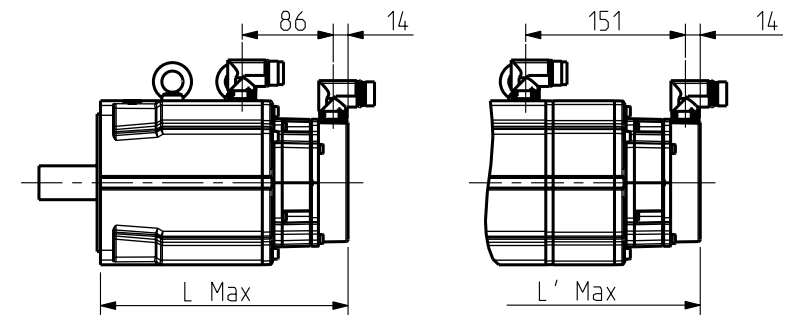


Scale 3:10



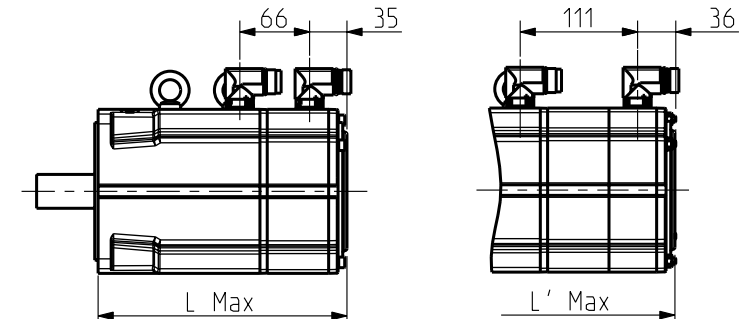
FEEDBACK OPTIONS

Feedback letter : R/S/V/W



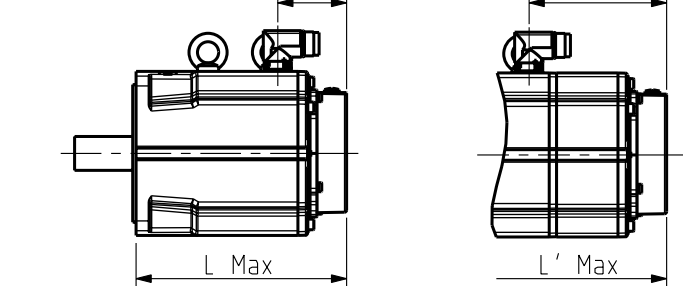
Scale 7:50

Feedback letter : T/U



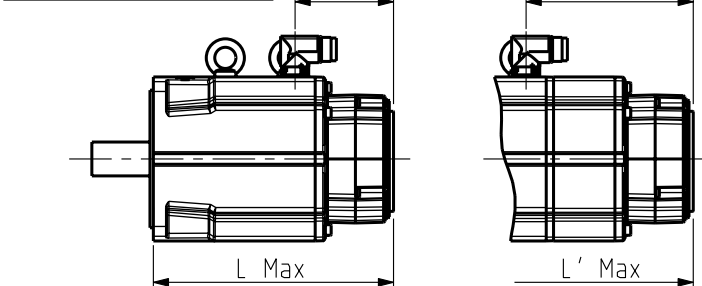
Scale 7:50

Feedback letter : Y

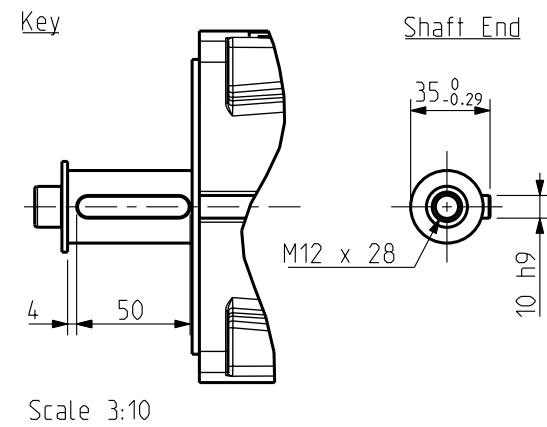


Scale 7:50

Feedback letter : P/Q



Scale 7:50

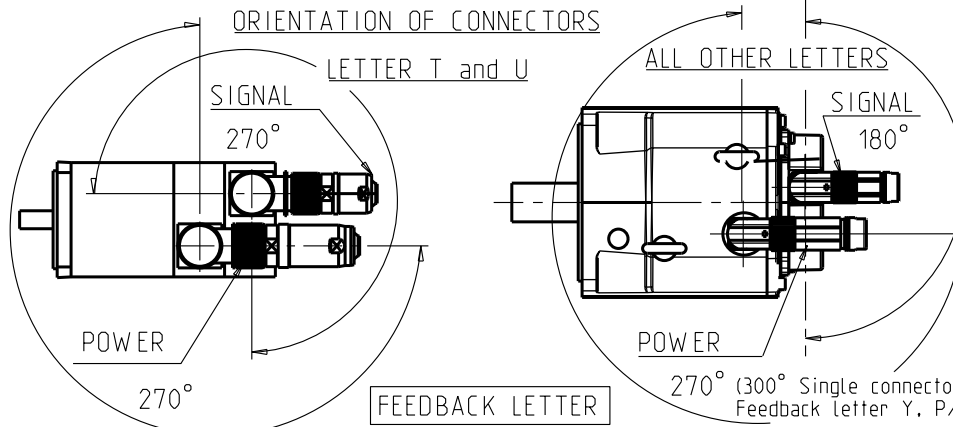


BRAKE Supply voltage : 24V ±10%
Static torque

	NX820	NX840	NX860
20°C	36 Nm	36 Nm	36 Nm
100°C	32 Nm	32 Nm	32 Nm

Weight

	NX820	NX840	NX860
No Brake	13 Kg	20 Kg	27 Kg
With Brake	16.5 Kg	23.5 Kg	30.5 Kg



	Feedback options (feedback letter)	Resolver (A)	Low cost encoder (X)	Hiperface SKS36 (R)	Hiperface SKM36 (S)	Endat ECN1113 (V)	Endat EQN1125 (W)
NX820	L (mm)	200				235	
	L' (mm)	266				301	
NX840	L (mm)	260				295	
	L' (mm)	326				361	
NX860	L (mm)	320				355	
	L' (mm)	386				421	

	Feedback options (feedback letter)	Hiperface SRS50 (T)	Hiperface SRM50 (U)	Sensorless (Y)	Hiperface DSL SIL2 EKS36 (P)	Hiperface DSL SIL2 EKM36 (Q)
NX820	L (mm)	236		200		228
	L' (mm)	282		266		294
NX840	L (mm)	296		260		288
	L' (mm)	342		326		354
NX860	L (mm)	356		320		348
	L' (mm)	402		386		414

N X 8 _ _ E _ _ R 7

- Torque range (depends on length)
- Winding (depends on speed)
- 0 : Plain Shaft
- 1 : key
- 0 : IP 64
- 1 : IP 65
- 0 : Without Brake
- 3 : Brake
- * : Thermal protection options on drawing 344993
- A : Resolver
- P : Hiperface Singleturn DSL SIL2 EKS36
- Q : Hiperface Multiturn DSL SIL2 EKM36
- R : Hiperface Singleturn SKS36
- S : Hiperface Multiturn SKM36
- T : Hiperface Singleturn SRS50
- U : Hiperface Multiturn SRM50
- V : Endat Singleturn ECN1113
- W : Endat Multiturn EQN1125
- X : Low Cost Encoder
- Y : Sensorless

See connectors pin out and encoder settings on drawing 344993

Sheet:1/4

General tolerances
DIN ISO 2768 mK

Drawn	09/07/09	YG	Visa
Modifications	C	AM24108 22/04/13 SD	
	B	AM24031 14/12/12 BB	
	A	AM23337 15/02/10 OD	D AM24474 01/12/15 PR

Scale 3:10

4 boulevard Eiffel - CS 40090
21604 Longvic Cedex - France
www.parker.com

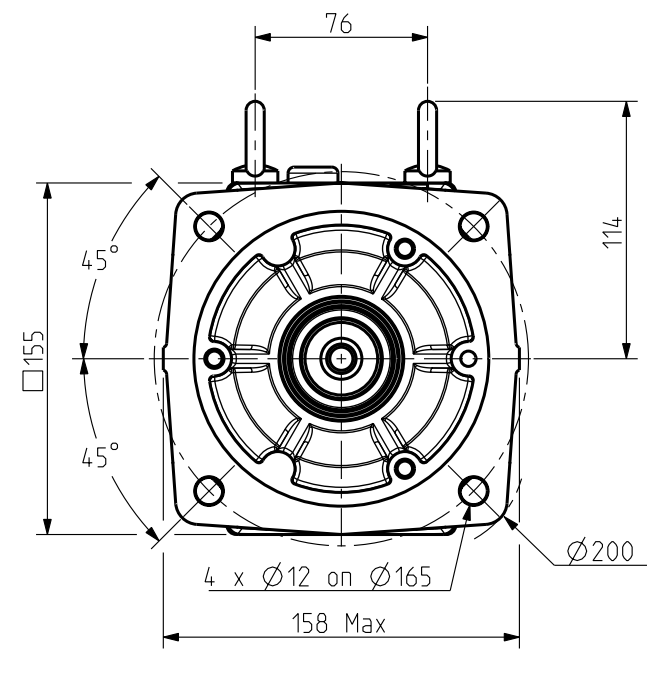
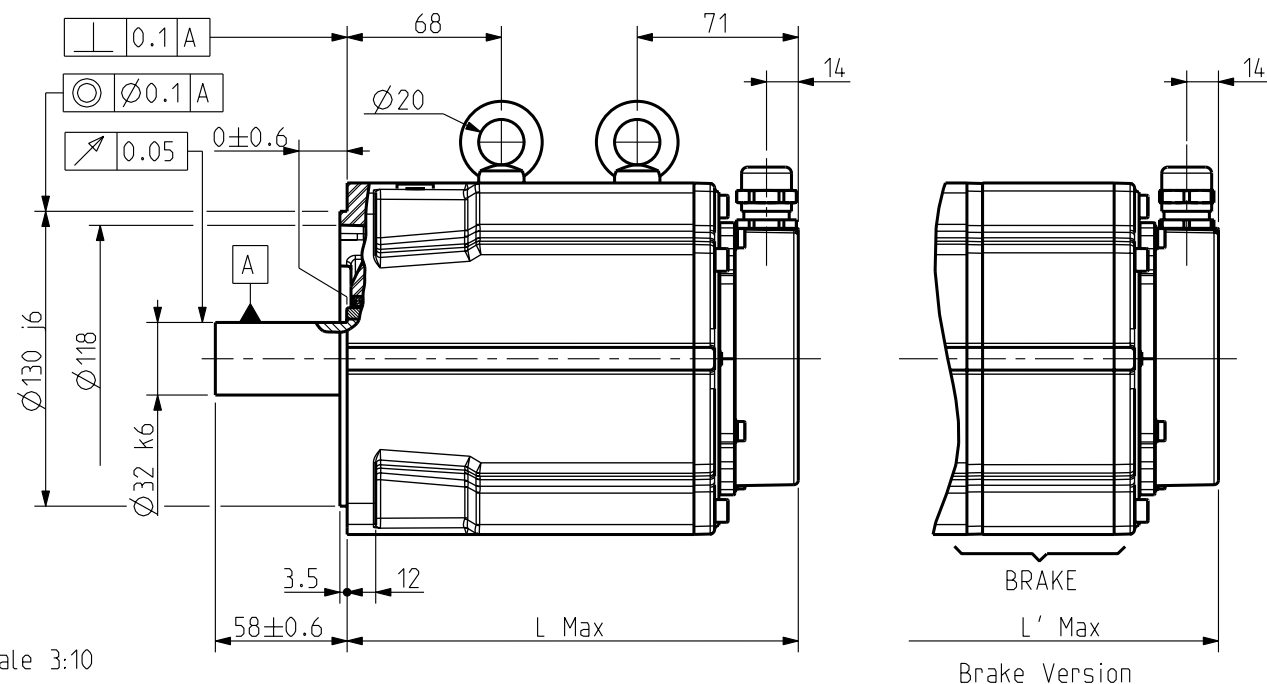
NX800
CONNECTOR VARIANT

Format	F	E	S	G	I
A3		x			

344469

THIS DOCUMENT CONTAINS INFORMATION THAT IS CONFIDENTIAL AND PROPRIETARY TO PARKER-HANNIFIN CORPORATION. THIS DOCUMENT IS FURNISHED ON THE UNDERSTANDING THAT THE DOCUMENT AND THE INFORMATION IT CONTAINS WILL NOT BE COPIED OR DISCLOSED TO OTHERS OR USED FOR ANY PURPOSE OTHER THAN CONDUCTING BUSINESS WITH PARKER-HANNIFIN CORPORATION, AND WILL BE RETURNED AND ALL FURTHER USE DISCONTINUED UPON REQUEST BY PARKER-HANNIFIN CORPORATION. THE RECIPIENT OF THIS DOCUMENT THROUGH ITS OWN ANALYSIS AND TESTING IS SOLELY RESPONSIBLE FOR MAKING THE FINAL SELECTION OF THE APPLICABLE SYSTEM AND COMPONENTS AND ASSURING THAT ALL PERFORMANCE, DURABILITY, MAINTENANCE, SAFETY AND WARNING REQUIREMENTS OF THE APPLICATION ARE MET. COPYRIGHT PARKER-HANNIFIN CORPORATION. YEAR OF COPYRIGHT IS FIRST YEAR INDICATED ON THIS DOCUMENT. ALL RIGHTS RESERVED.

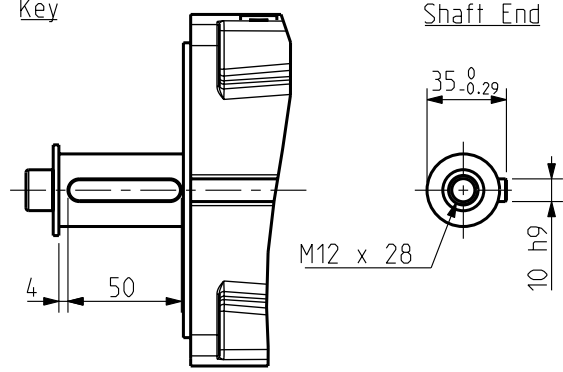
Feedback letter : Y



Scale 3:10

Brake Version

Key



Scale 3:10

BRAKE Supply voltage : 24V ±10%
Static torque

	NX820	NX840	NX860
20 °C	36 Nm	36 Nm	36 Nm
100 °C	32 Nm	32 Nm	32 Nm

Weight

	NX820	NX840	NX860
No Brake	13 Kg	20 Kg	27 Kg
With Brake	16.5 Kg	23.5 Kg	30.5 Kg

	Feedback options (feedback letter)	Sensorless (Y)
NX820	L (mm)	200
	L' (mm)	266
NX840	L (mm)	260
	L' (mm)	326
NX860	L (mm)	320
	L' (mm)	386

N X 8 _ _ E Y _ R 6 _ _ _

Torque range (depends on length)

Winding (depends on speed)

0 : Plain Shaft
1 : key

0 : IP 64
1 : IP 65

0 : Without Brake
3 : Brake
* : Thermal protection options on drawing 344993

See connectors pin out and encoder settings on drawing 344993

Sheet:2/4

THIS DOCUMENT CONTAINS INFORMATION THAT IS CONFIDENTIAL AND PROPRIETARY TO PARKER-HANNIFIN CORPORATION. THIS DOCUMENT IS FURNISHED ON THE UNDERSTANDING THAT THE DOCUMENT AND THE INFORMATION IT CONTAINS WILL NOT BE COPIED OR DISCLOSED TO OTHERS OR USED FOR ANY PURPOSE OTHER THAN CONDUCTING BUSINESS WITH PARKER-HANNIFIN CORPORATION, AND WILL BE RETURNED AND ALL FURTHER USE DISCONTINUED UPON REQUEST BY PARKER-HANNIFIN CORPORATION. THE RECIPIENT OF THIS DOCUMENT THROUGH ITS OWN ANALYSIS AND TESTING IS SOLELY RESPONSIBLE FOR MAKING THE FINAL SELECTION OF THE APPLICABLE SYSTEM AND COMPONENTS AND ASSURING THAT ALL PERFORMANCE, DURABLE, MAINTENANCE, SAFETY AND WARNING REQUIREMENTS OF THE APPLICATION ARE MET. COPYRIGHT PARKER-HANNIFIN CORPORATION. YEAR OF COPYRIGHT IS FIRST YEAR INDICATED ON THIS DOCUMENT. ALL RIGHTS RESERVED.

General tolerances
DIN ISO 2768 mK

Drawn	09/07/09	YG	Visa					
Modifications	C	AM24108	22/04/13	SD				
	B	AM24031	14/12/12	BB				
	A	AM23337	15/02/10	OD	D	AM24474	01/12/15	PR

Scale
3:10

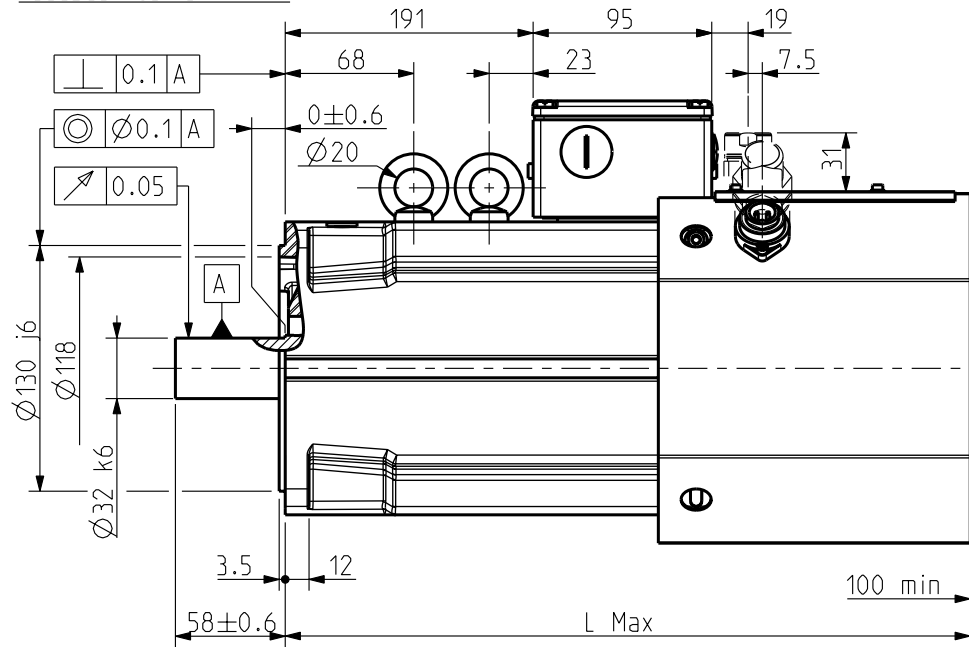
Parker
4 boulevard Eiffel - CS 40090
21604 Longvic Cedex - France
www.parker.com

NX800
SENSORLESS VARIANT

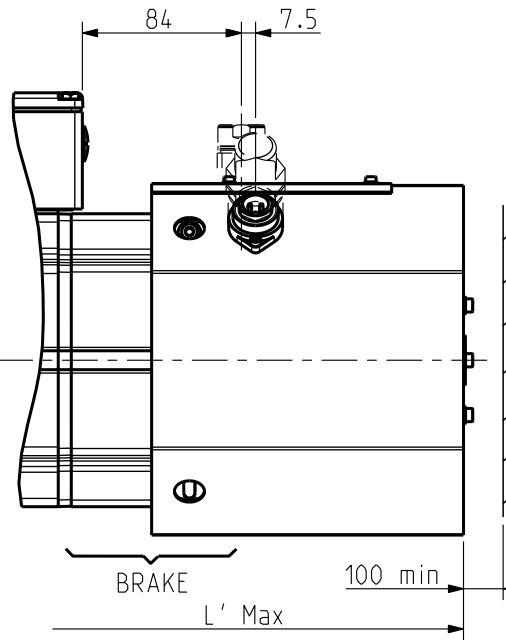
Format	F	E	S	G	I
A3		x			

344469

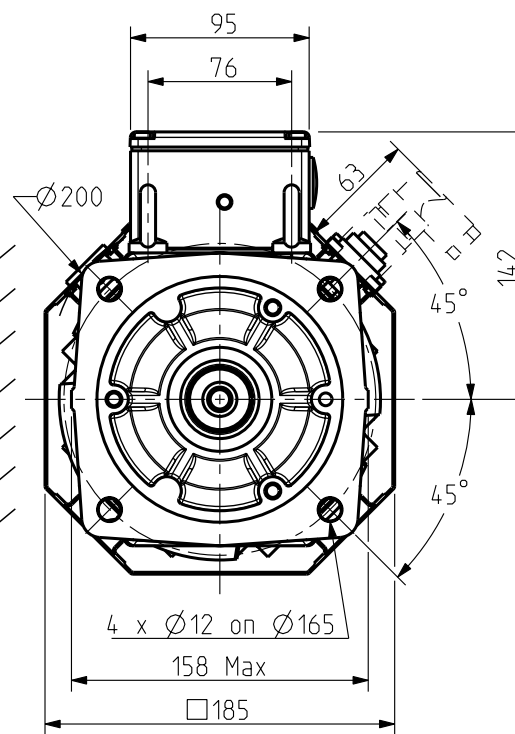
Feedback letter : A/X



Scale 1:4

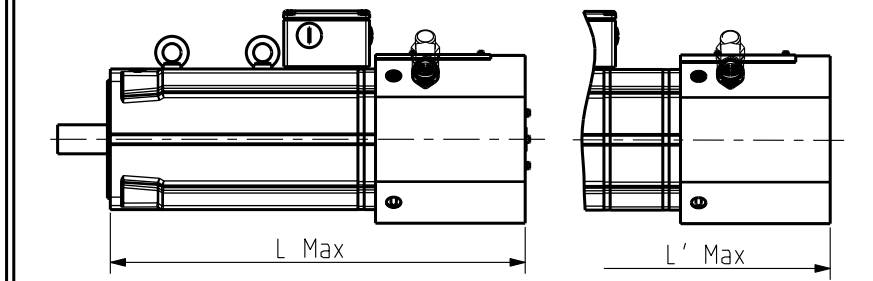


Scale 1:4
Brake Version



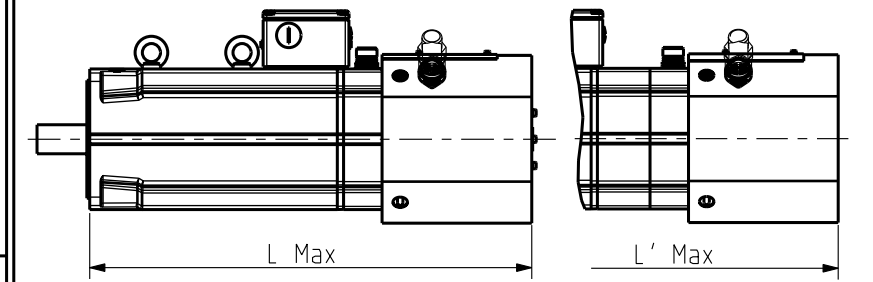
FEEDBACK OPTIONS

Feedback letter : R/S/V/W



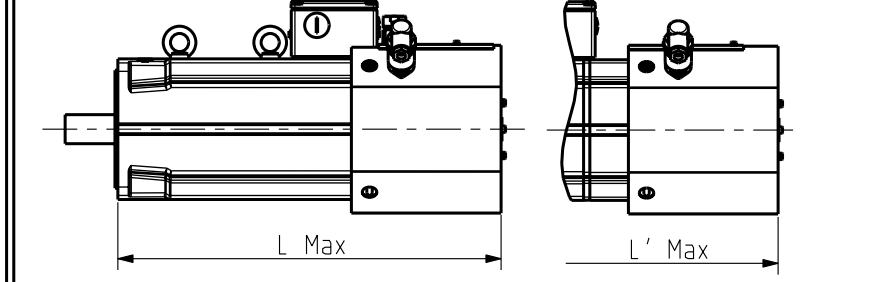
Scale 3:25

Feedback letter : T/U

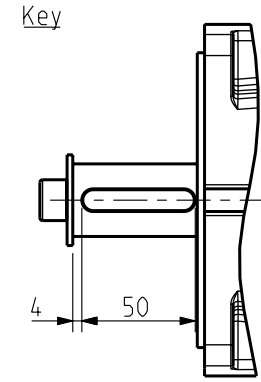


Scale 3:25

Feedback letter : Y

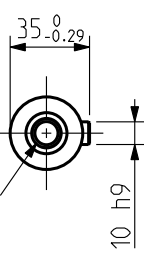


Scale 3:25



Scale 3:10

Shaft End



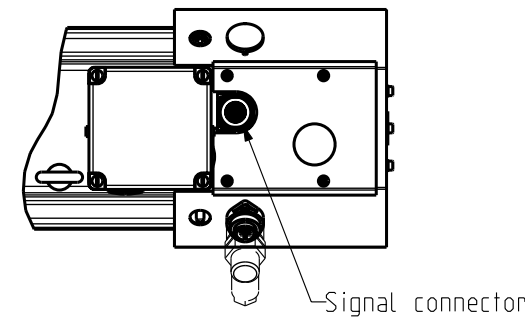
BRAKE Supply voltage : 24V ±10%
Static torque

	NX860
20 °C	36 Nm
100 °C	32 Nm

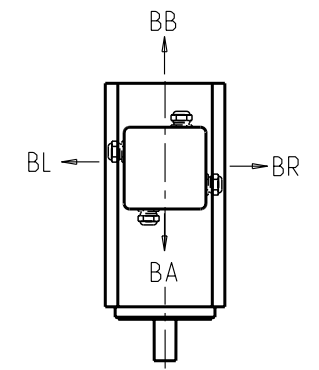
Weight

	NX860
No Brake	30.5 Kg
With Brake	34 Kg

TOP VIEW



POWER TERMINAL BOX ORIENTATION



Standard orientation : BR

	Feedback options (feedback letter)	Resolver (A)	Low cost encoder (X)	Hiperface SKS36 (R)	Hiperface SKM36 (S)	Endat ECN1113 (V)	Endat EQN1125 (W)	Hiperface SRS50 (T)	Hiperface SRM50 (U)	Sensorless (Y)
NX860	L (mm)	424		424		460		490		424
	L' (mm)	490		490		525		555		490

N X 8 _ _ V _ _ R 9 _ _ _
N X 8 _ _ V _ _ R 5 ** _ _ _

Torque range (depends on length) Winding (depends on speed)

0 : Plain Shaft
1 : key
0 : IP 64
1 : IP 65

0 : Without Brake
3 : Brake
* : Thermal protection options on drawing 344993

A : Resolver
R : Hiperface Singleturn SKS36
S : Hiperface Multiturn SKM36
T : Hiperface Singleturn SRS50
U : Hiperface Multiturn SRM50
V : Endat Singleturn ECN1113
W : Endat Multiturn EQN1125
X : Low Cost Encoder
Y : Sensorless

** UL TERMINAL BOX AND VENTILATION

See connectors pin out and encoder settings on drawing 344993

Sheet:4/4

General tolerances
DIN ISO 2768 mK

Drawn	09/07/09	YG	Visa						
Modifications	C	AM24108 22/04/13 SD							
	B	AM24031 14/12/12 BB							
	A	AM23337 15/02/10 OD		D	AM24474 01/12/15 PR				

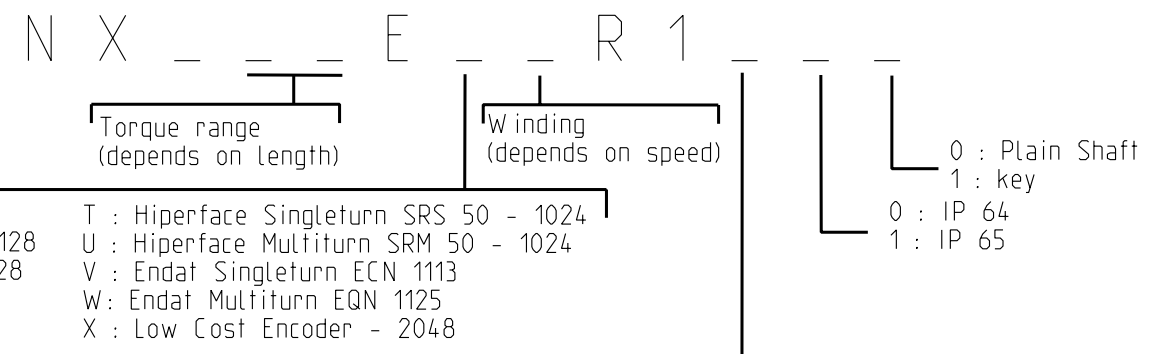
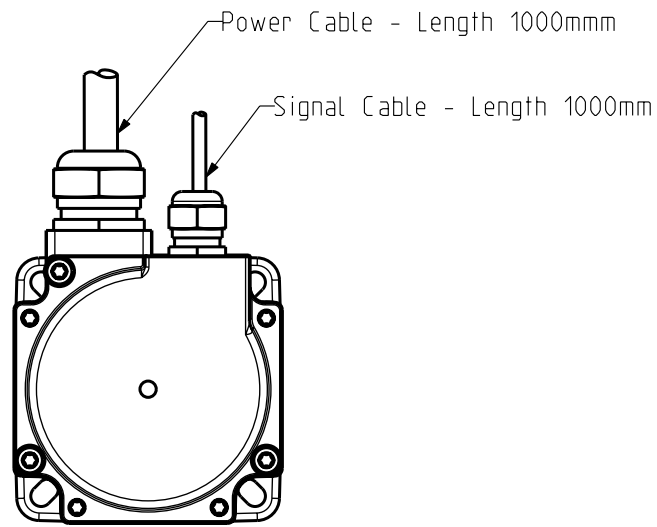
Scale 1:4

4 boulevard Eiffel - CS 40090
21604 Longvic Cedex - France
www.parker.com

NX800
TERMINAL BOX - VENTILATED

Format	F	E	S	G	I
A3	x				
344469					

THIS DOCUMENT CONTAINS INFORMATION THAT IS CONFIDENTIAL AND PROPRIETARY TO PARKER-HANNIFIN CORPORATION. THIS DOCUMENT IS FURNISHED ON THE UNDERSTANDING THAT THE DOCUMENT AND THE INFORMATION IT CONTAINS WILL NOT BE COPIED OR DISCLOSED TO OTHERS OR USED FOR ANY PURPOSE OTHER THAN CONDUCTING BUSINESS WITH PARKER-HANNIFIN CORPORATION, AND WILL BE RETURNED AND ALL FURTHER USE DISCONTINUED UPON REQUEST BY PARKER-HANNIFIN CORPORATION. THE RECIPIENT OF THIS DOCUMENT THROUGH ITS OWN ANALYSIS AND TESTING IS SOLELY RESPONSIBLE FOR MAKING THE FINAL SELECTION OF THE APPLICABLE SYSTEM AND COMPONENTS AND ASSURING THAT ALL PERFORMANCE, DURABILITY, MAINTENANCE, SAFETY AND WARNING REQUIREMENTS OF THE APPLICATION ARE MET. COPYRIGHT PARKER-HANNIFIN CORPORATION. YEAR OF COPYRIGHT IS FIRST YEAR INDICATED ON THIS DOCUMENT. ALL RIGHTS RESERVED.



A : Resolver
R : Hiperface Singleturn SKS 36 - 128
S : Hiperface Multiturn SKM 36 - 128

T : Hiperface Singleturn SRS 50 - 1024
U : Hiperface Multiturn SRM 50 - 1024
V : Endat Singleturn ECN 1113
W : Endat Multiturn EQN 1125
X : Low Cost Encoder - 2048

Temperature Sensor on Power Connector

0 : Base
1 : PTC
2 : Thermoswitch
3 : Brake
4 : Brake + PTC
5 : Brake + Thermoswitch
6 : KTY
7 : Brake + KTY

Temperature Sensor on Signal Connector

A : PTC
B : Thermoswitch
C : KTY
D : Brake + PTC
E : Brake + Thermoswitch
F : Brake + KTY

POWER CABLE

Motor Size : NX1/2
Cable diameter : $\varnothing 9.5$
Shielded Pairs
POWER : 4 x 0.5 mm²
black : phase U
white : phase V
red : phase W
yellow/green : ground

ACCESSORIES : 2 x (2 x 0.5 mm²)
Yellow : No connection
Orange : No connection
Green Blue : Brake -
Green Red : Brake +

} If the option is required

Motor Size : NX3/4/6
Cable diameter : $\varnothing 11.8$
Twisted and shielded pairs + overall shield

POWER : 4 x 1.5 mm²
black 1 : phase U
black 2 : phase V
black 3 : phase W
yellow/green : ground

ACCESSOIRES : 1 x (2 x 1 mm²)
Black : Brake -
White : Brake +

} If the option is required

SIGNAL CABLE

Motor Size : NX1/2
Feedback Letter : A
Cable diameter : $\varnothing 7.1$
Twisted and shielded pairs

SIGNAL CABLE : 6 x 0.24 mm²
Red/white : R1
Black/white : R2
Red : S1

Yellow : S2
Black : S3
Blue : S4

Motor Size : NX3/4/6
Feedback Letter : A
Cable diameter : $\varnothing 10$
Twisted and shielded pairs + overall shield

SIGNAL CABLE : 4 x (2x 0.25 mm²)
Pair 1 : (Red : R1 Black/Red : R2)
Pair 2 : (White : S3 Black/White : S1)
Pair 3 : (Blue : S4 Black/Blue : S2)

Motor Size : NX2/3/4/6
Feedback Letter : R/S/T/U
Cable diameter : $\varnothing 10$
Twisted and shielded pairs + overall shield

SIGNAL CABLE : 4 x (2x 0.25 mm²)
Pair 1 : (Black : Gnd Red : Us)
Pair 2 : (Black : Data- Green : Data+)
Pair 3 : (Black : Ref Sin White : +Sin)
Pair 4 : (Black : Ref Cos Blue : +Cos)

Motor Size : NX3/4/6
Feedback Letter : V/W
Cable diameter : $\varnothing 10.8$
Twisted and shielded pairs + overall shield

SIGNAL CABLE : 5 x (2x 0.25 mm²)
Pair 1 : (Black : Data\ Red : Data)
Pair 2 : (Black : A- Green : A+)
Pair 3 : (Black : 0V White : Up 5V)
Pair 4 : (Black : B- Blue : B+)
Pair 5 : (Black : Clock\ Yellow : Clock)

Motor Size : NX2/3/4/6
Feedback Letter : X
Cable diameter : $\varnothing 10.8$
Twisted and shielded pairs + overall shield

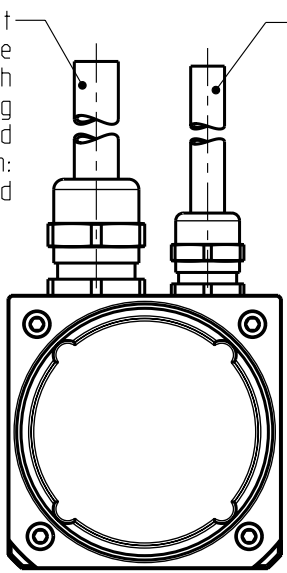
SIGNAL CABLE : 5 x (2x 0.25 mm²)
Pair 1 : (Black : GND Red : VCC)
Pair 2 : (Black : A\ Green : A)
Pair 3 : (Black : B\ Blue : B)
Pair 4 : (Black : Z White : U)
Pair 5 : (Black : V Yellow : W)

ENCODER SETTINGS

Feedback Letter : A	Feedback Letter : R/S	Feedback Letter : T/U	Feedback Letter : V/W	Feedback Letter : X
Motor powered by direct current at the current nominal value (W+ and V-), the shift is 90° electrical.	Motor powered by direct current at the current nominal value (W+ et V-), value in encoder memory is 205	Motor powered by direct current at the current nominal value (W+ et V-), value in encoder memory is 1638	Motor powered by direct current at the current nominal value (W+ et V-), value in encoder memory is 410	Engine driven clockwise shaft end side. Switching signal V is in phase with FEM UV.

<p>THIS DOCUMENT CONTAINS INFORMATION THAT IS CONFIDENTIAL AND PROPRIETARY TO PARKER-HANNIFIN CORPORATION. THIS DOCUMENT IS FURNISHED ON THE UNDERSTANDING THAT THE DOCUMENT AND THE INFORMATION IT CONTAINS WILL NOT BE COPIED OR DISCLOSED TO OTHERS OR USED FOR ANY PURPOSE OTHER THAN CONDUCTING BUSINESS WITH PARKER-HANNIFIN CORPORATION, AND WILL BE RETURNED AND ALL FURTHER USE DISCONTINUED UPON REQUEST BY PARKER-HANNIFIN CORPORATION. THE RECIPIENT OF THIS DOCUMENT THROUGH ITS OWN ANALYSIS AND TESTING IS SOLELY RESPONSIBLE FOR MAKING THE FINAL SELECTION OF THE APPLICABLE SYSTEM AND COMPONENTS AND ASSURING THAT ALL PERFORMANCE, DURABILITY, MAINTENANCE, SAFETY AND WARNING REQUIREMENTS OF THE APPLICATION ARE MET. COPYRIGHT PARKER-HANNIFIN CORPORATION. YEAR OF COPYRIGHT IS FIRST YEAR INDICATED ON THIS DOCUMENT. ALL RIGHTS RESERVED.</p>	<p>General tolerances</p> <p>DIN ISO 2768 mk</p>	<p>Drawn</p> <p>03/07/09 YG Visa</p>	<p>I AM24474 01/12/15 PR</p>	<p>F AM23892 26/06/12 PR</p>	<p>Scale</p> <p>/</p>	<p>4 boulevard Eiffel - CS 40090 21604 Longvic Cedex - France www.parker.com</p>	<p>NX MOTORS CONNECTIONS</p> <p>CABLE VARIANT</p>	<p>Format</p> <p>A3</p>	<p>F</p>	<p>E</p>	<p>S</p>	<p>G</p>	<p>I</p>	<p>344993</p>	<p>1</p>
		<p>Modifications</p>	<p>H AM24108 22/04/13 SD</p>	<p>E AM23624 26/05/11 YG</p>				<p>x</p>							
		<p>G AM23924 26/07/12 PR</p>	<p>D AM23533 26/01/11 OD</p>												

Power output
Output wires inside
Ø9 PVC sheath
Overall shielding
connected to ground
Wire, shielding, sheath:
Ends not stripped



Signal output **
Output wires inside
Ø7 PVC sheath
Overall shielding
connected to ground
Wire, shielding, sheath:
Ends not stripped

NX1 and NX2 ONLY

N X - - E - - R 4

Torque range
(depends on length)

Winding
(depends on speed)

A : Resolver

R : Hiperface Singleturn SKS 36 - 128
S : Hiperface Multiturn SKM 36 - 128
X : Low Cost Encoder - 2048

0 : Plain Shaft
1 : key
0 : IP 64
1 : IP 65

Temperature Sensor on Power Connector

0 : Base
1 : PTC
2 : Thermoswitch
6 : KTY
3 : Brake
4 : Brake + PTC
5 : Brake + Thermoswitch
7 : Brake + KTY

Temperature Sensor on Signal Connector

A : PTC
B : Thermoswitch
C : KTY
D : Brake + PTC
E : Brake + Thermoswitch
F : Brake + KTY

** Except for encoders Q/R/S : the output cable is the encoder's cable

POWER CABLE

Motor Size : NX1/2
Length 1000 mm
POWER : 4 x 0.5 mm²

black : phase U
white : phase V
red : phase W
yellow/green : ground

BRAKE : 2 x 0.14 mm²
green/red : +
green/blue : - } If the option is required

Brake wires outside shielding

SIGNAL CABLE

Motor Size : NX1/2
Feedback letter : A
Length 1000 mm

SIGNAL : 6 x 0.08 mm², AWG28

red/white : R1
yellow/white : R2
black : S1
yellow : S2
red : S3
blue : S4

S1 = Cos -	S2 = Sin -	R1 = excitation +
S3 = Cos +	S4 = Sin +	R2 = excitation -

Rotor is rotating in clock wise viewed from shaft end view.

Motor Size : NX2
Feedback Letter : X
Encoder cable
Length : 0.10m

SIGNAL : 14 x AWG26

red : VCC
black : GND
blue : A
black/blue : A\
green : B
black/green : B\
purple : Z
black/purple : Z\
brown : U
black/brown : U\
grey : V
black/grey : V\
white : W
black/white : W\
black : Ref Cos
blue : GND
grey or yellow : Data+
green or purple : Data-

Motor Size : NX2
Feedback Letter : R/S
Encoder cable unshielded
Length : 0.15m

SIGNAL : 8 x 0.24mm²

red : Us
white : +Sin
brown : RefSin
pink : +Cos
black : Ref Cos
blue : GND
grey or yellow : Data+
green or purple : Data-

ENCODER SETTINGS

Feedback Letter : A

Feedback Letter : R/S

Feedback Letter : X

Motor powered by direct current at the current nominal value (W+ and V-), the shift is 90° electrical.

Motor powered by direct current at the current nominal value (W+ et V-), value in encoder memory is 205

Engine driven clockwise shaft end side. Switching signal V is in phase with FEM UV.

General tolerances
DIN ISO 2768 mK

Drawn	03/07/09	YG	Visa				
Modifications	I	AM24474 01/12/15 PR	F	AM23892 26/06/12 PR			
	H	AM24108 22/04/13 SD	E	AM23624 26/05/11 YG			
	G	AM23924 26/07/12 PR	D	AM23533 26/01/11 OD			

Scale

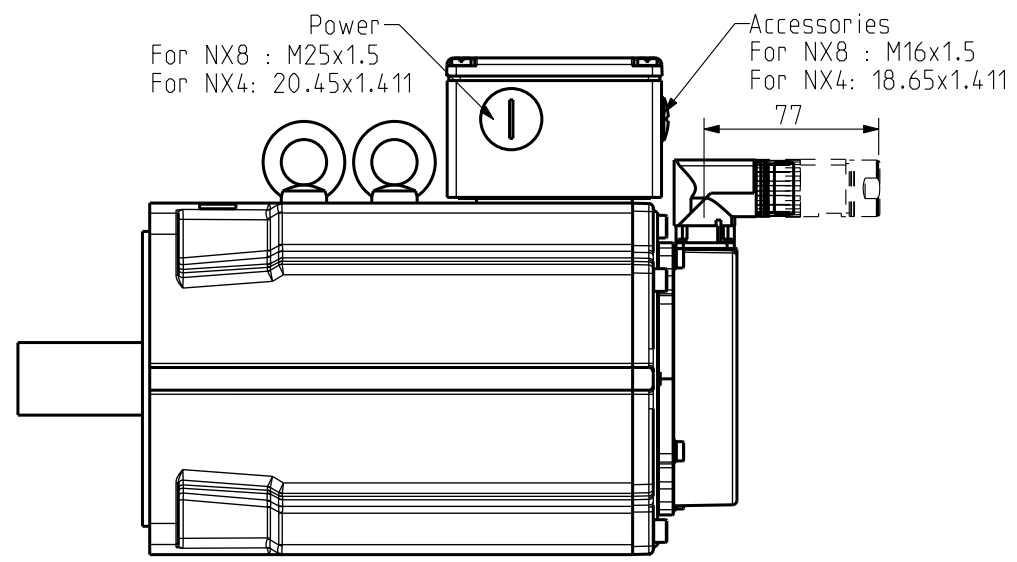
4 boulevard Eiffel - CS 40090
21604 Longvic Cedex - France
www.parker.com

NX MOTORS CONNECTIONS

FLYING WIRES VARIANT

Format	F	E	S	G	I
A3	x				
344993					

THIS DOCUMENT CONTAINS INFORMATION THAT IS CONFIDENTIAL AND PROPRIETARY TO PARKER-HANNIFIN CORPORATION. THIS DOCUMENT IS FURNISHED ON THE UNDERSTANDING THAT THE DOCUMENT AND THE INFORMATION IT CONTAINS WILL NOT BE COPIED OR DISCLOSED TO OTHERS OR USED FOR ANY PURPOSE OTHER THAN CONDUCTING BUSINESS WITH PARKER-HANNIFIN CORPORATION, AND WILL BE RETURNED AND ALL FURTHER USE DISCONTINUED UPON REQUEST BY PARKER-HANNIFIN CORPORATION. THE RECIPIENT OF THIS DOCUMENT THROUGH ITS OWN ANALYSIS AND TESTING IS SOLELY RESPONSIBLE FOR MAKING THE FINAL SELECTION OF THE APPLICABLE SYSTEM AND COMPONENTS AND ASSURING THAT ALL PERFORMANCE, DURABILITY, MAINTENANCE, SAFETY AND WARNING REQUIREMENTS OF THE APPLICATION ARE MET. COPYRIGHT PARKER-HANNIFIN CORPORATION. YEAR OF COPYRIGHT IS FIRST YEAR INDICATED ON THIS DOCUMENT. ALL RIGHTS RESERVED.



N X - - E - - R 6

Torque range (depends on length)

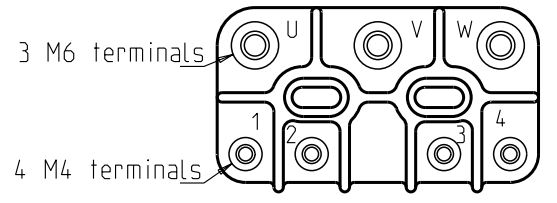
Winding (depends on speed)

- A : Resolver
- R : Hiperface Singleturn SKS 36 - 128
- S : Hiperface Multiturn SKM 36 - 128
- T : Hiperface Singleturn SRS 50 - 1024
- U : Hiperface Multiturn SRM 50 - 1024
- V : Endat Singleturn ECN 1113
- W : Endat Multiturn EQN 1125
- X : Low Cost Encoder - 2048

- 0 : Plain Shaft
- 1 : key
- 0 : IP 64
- 1 : IP 65

- Temperature Sensor on Power Connector
- 0 : Base
 - 1 : PTC
 - 2 : Thermoswitch
 - 6 : KTY
 - 3 : Brake
 - 4 : Brake + PTC
 - 5 : Brake + Thermoswitch
 - 7 : Brake + KTY
- Temperature Sensor on Signal Connector
- A : PTC
 - B : Thermoswitch
 - C : KTY
 - D : Brake + PTC
 - E : Brake + Thermoswitch
 - F : Brake + KTY

TERMINAL BOX

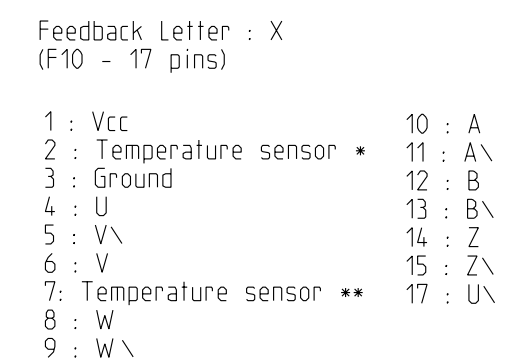
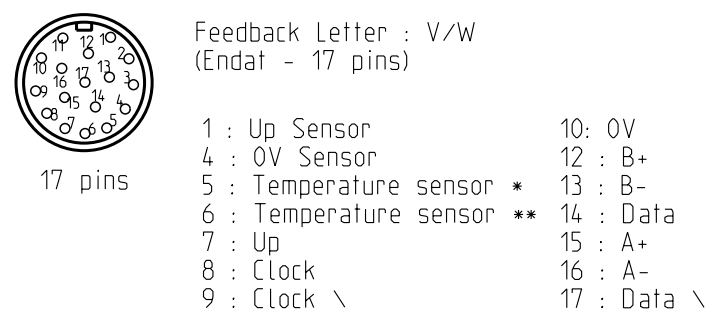
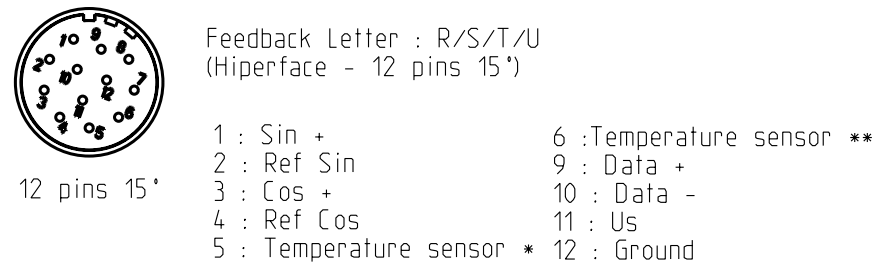
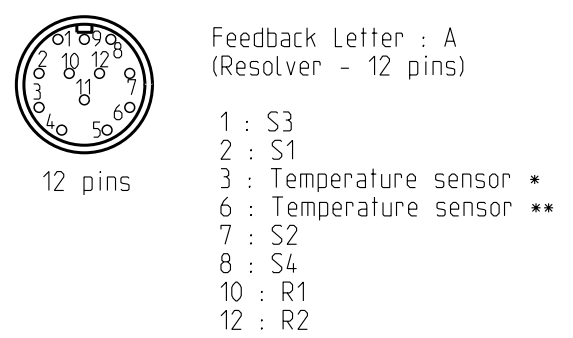


Ground in the terminal box (M6)

- U : Phase U
 - V : Phase V
 - W : Phase W
 - 1 : Brake +
 - 2 : Brake -
 - 3 : Temperature sensor*
 - 4 : Temperature sensor**
- If the option is required

* PTC or Thermoswitch or KTY Anode
** PTC or Thermoswitch or KTY Cathode

SIGNAL CONNECTOR



S1 = Cos - S2 = Sin - R1 = excitation +
S3 = Cos + S4 = Sin + R2 = excitation -

Rotor is rotating in clock wise viewed from shaft end view.

* PTC or Thermoswitch or KTY Anode
** PTC or Thermoswitch or KTY Cathode

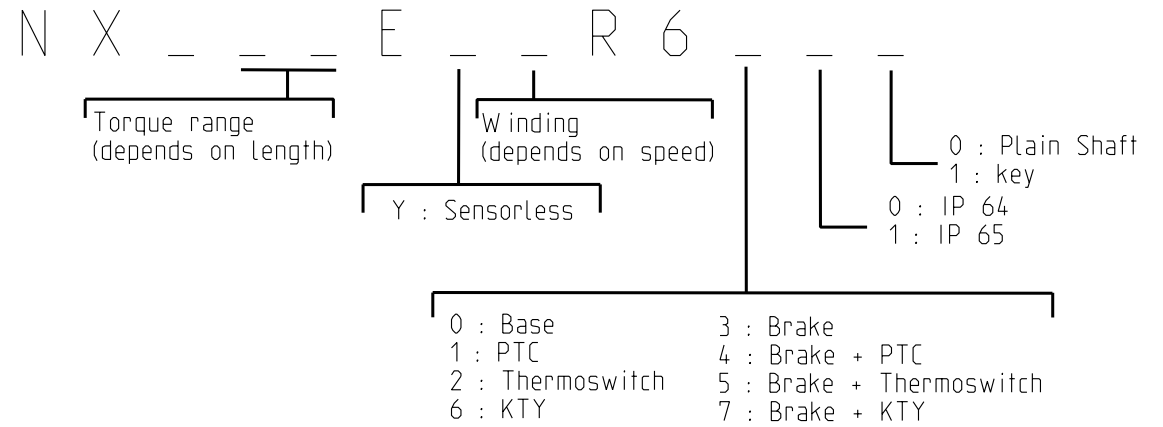
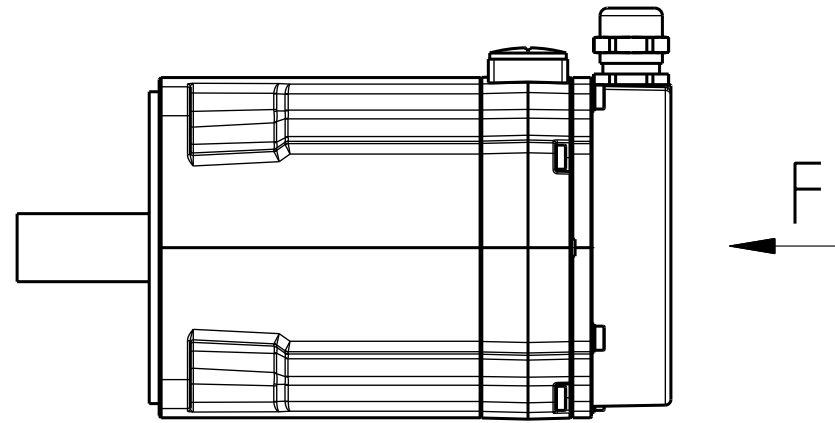
If the option is required

ENCODER SETTINGS

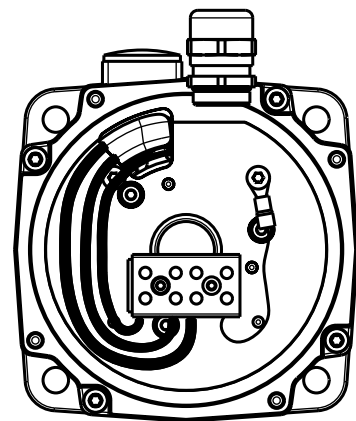
Feedback Letter : A	Feedback Letter : R/S	Feedback Letter : T/U	Feedback Letter : V/W	Feedback Letter : X
Motor powered by direct current at the current nominal value (W+ and V-), the shift is 90° electrical.	Motor powered by direct current at the current nominal value (W+ et V-), value in encoder memory is 205	Motor powered by direct current at the current nominal value (W+ et V-), value in encoder memory is 1638	Motor powered by direct current at the current nominal value (W+ et V-), value in encoder memory is 410	Engine driven clockwise shaft end side. Switching signal V is in phase with FEM UV.

General tolerances DIN ISO 2768 mK	Drawn	03/07/09	YG	Visa						4 boulevard Eiffel - CS 40090 21604 Longvic Cedex - France www.parker.com	NX MOTORS CONNECTIONS TERMINAL BOX VARIANT	Format	F	E	S	G	I		
	Modifications	I	AM24474 01/12/15 PR		F	AM23892 26/06/12 PR		A3											
		H	AM24108 22/04/13 SD		E	AM23624 26/05/11 YG		344993											
G	AM23924 26/07/12 PR		D	AM23533 26/01/11 OD															

THIS DOCUMENT CONTAINS INFORMATION THAT IS CONFIDENTIAL AND PROPRIETARY TO PARKER-HANNIFIN CORPORATION. THIS DOCUMENT IS FURNISHED ON THE UNDERSTANDING THAT THE DOCUMENT AND THE INFORMATION IT CONTAINS WILL NOT BE COPIED OR DISCLOSED TO OTHERS OR USED FOR ANY PURPOSE OTHER THAN CONDUCTING BUSINESS WITH PARKER-HANNIFIN CORPORATION, AND WILL BE RETURNED AND ALL FURTHER USE DISCONTINUED UPON REQUEST BY PARKER-HANNIFIN CORPORATION. THE RECIPIENT OF THIS DOCUMENT THROUGH ITS OWN ANALYSIS AND TESTING IS SOLELY RESPONSIBLE FOR MAKING THE FINAL SELECTION OF THE APPLICABLE SYSTEM AND COMPONENTS AND ASSURING THAT ALL PERFORMANCE, DURABILITY, MAINTENANCE, SAFETY AND WARNING REQUIREMENTS OF THE APPLICATION ARE MET. COPYRIGHT PARKER-HANNIFIN CORPORATION. YEAR OF COPYRIGHT IS FIRST YEAR INDICATED ON THIS DOCUMENT. ALL RIGHTS RESERVED.



POWER TERMINAL BLOCK



WITHOUT BRAKE

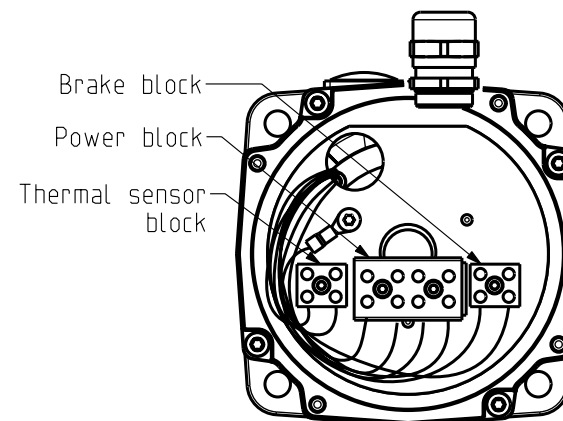
CONNECT SHIELDING TO GROUND WIRE

POWER

- Black : phase U
- White : phase V
- Red : phase W
- Yellow/Green : ground wire

VIEW F WITHOUT COVER

POWER & ACCESSORIES TERMINAL BLOCKS (FOR NX6 & NX8)



WITH BRAKE

POWER BLOCK

- Black : phase U
- White : phase V
- Red : phase W
- Yellow/Green : ground

CONNECT SHIELDING TO GROUND WIRE

VIEW F WITHOUT COVER

THERMAL SENSOR BLOCK



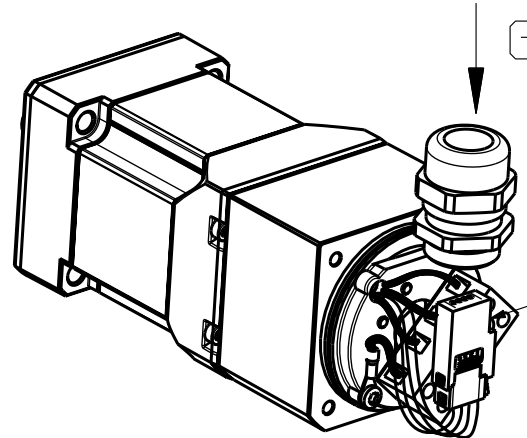
- Thermal sensor cathode**
- Thermal sensor anode*

BRAKE BLOCK



- Red : Brake +
- Black : Brake -

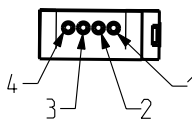
ACCESSORIES CONNECTOR (NX2 ONLY)



Power block

- Black : phase U
- White : phase V
- Red : phase W
- Yellow/Green : ground wire

Accessories connector



G VIEW

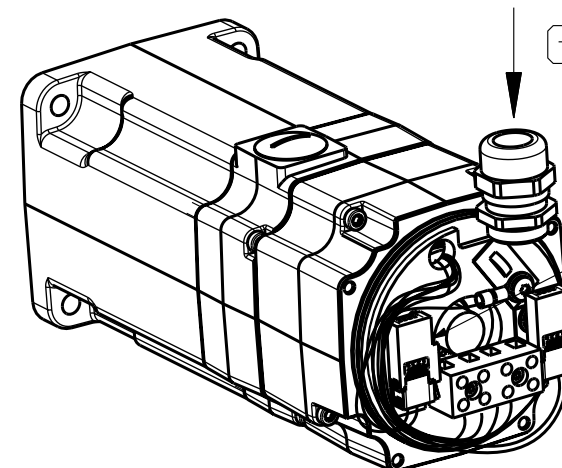
- 1 : Thermal Sensor *
- 2 : Thermal Sensor **
- 3 : Red : Brake +
- 4 : Black : Brake -

ACCESSORIES CABLES :
Section AWG20 or 0.5 mm²

3D VIEW WITHOUT COVER

* PTC or Thermoswitch or KTY Anode
** PTC or Thermoswitch or KTY Cathode } If the option is required

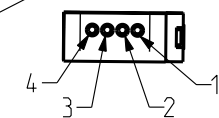
ACCESSORIES CONNECTORS (FOR NX3 & NX4)



Power block

- Black : phase U
- White : phase V
- Red : phase W
- Yellow/Green : ground wire

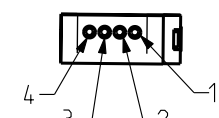
Thermal sensor connector (option)



G VIEW

- Cables AWG20 or 0.5 mm²
- 1 : Thermal Sensor *
- 2 : Thermal Sensor **
- 3 : Not connected
- 4 : Not connected

Brake connector (option)



G VIEW

- Cables AWG20 or 0.5 mm²
- 1 : Not connected
- 2 : Not connected
- 3 : Red : Brake +
- 4 : Black : Brake -

3D VIEW WITHOUT COVER

General tolerances
DIN ISO 2768 mK

Drawn	03/07/09	YG	Visa					
Modifications	I	AM24474	01/12/15	PR	F	AM23892	26/06/12	PR
	H	AM24108	22/04/13	SD	E	AM23624	26/05/11	YG
	G	AM23924	26/07/12	PR	D	AM23533	26/01/11	OD

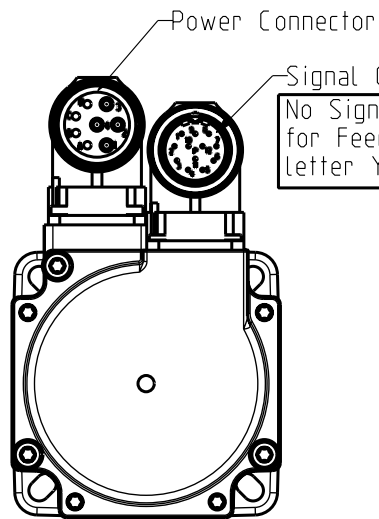
Scale

4 boulevard Eiffel - CS 40090
21604 Longvic Cedex - France
www.parker.com

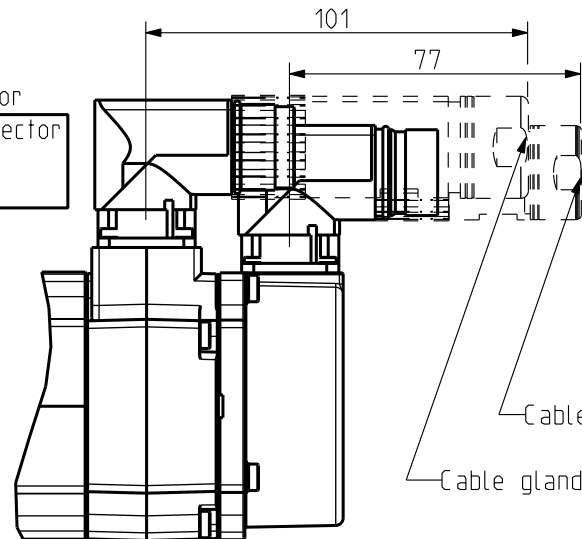
NX MOTORS CONNECTIONS
TERMINAL BLOCK VARIANT

Format	F	E	S	G	I
A3	x				
344993					

THIS DOCUMENT CONTAINS INFORMATION THAT IS CONFIDENTIAL AND PROPRIETARY TO PARKER-HANNIFIN CORPORATION. THIS DOCUMENT IS FURNISHED ON THE UNDERSTANDING THAT THE DOCUMENT AND THE INFORMATION IT CONTAINS WILL NOT BE COPIED OR DISCLOSED TO OTHERS OR USED FOR ANY PURPOSE OTHER THAN CONDUCTING BUSINESS WITH PARKER-HANNIFIN CORPORATION, AND WILL BE RETURNED AND ALL FURTHER USE DISCONTINUED UPON REQUEST BY PARKER-HANNIFIN CORPORATION. THE RECIPIENT OF THIS DOCUMENT THROUGH ITS OWN ANALYSIS AND TESTING IS SOLELY RESPONSIBLE FOR MAKING THE FINAL SELECTION OF THE APPLICABLE SYSTEM AND COMPONENTS AND ASSURING THAT ALL PERFORMANCE, DURABILITY, MAINTENANCE, SAFETY AND WARNING REQUIREMENTS OF THE APPLICATION ARE MET. COPYRIGHT PARKER-HANNIFIN CORPORATION. YEAR OF COPYRIGHT IS FIRST YEAR INDICATED ON THIS DOCUMENT. ALL RIGHTS RESERVED.



Power Connector
Signal Connector
No Signal connector for Feedback letter Y, P/Q



Cable gland - $\varnothing 5.5$ to $\varnothing 10.5$
Cable gland - $\varnothing 9.5$ to $\varnothing 14.5$

N X - - - E - - - R 7

Torque range (depends on length)

Winding (depends on speed)

0 : Plain Shaft
1 : key
0 : IP 64
1 : IP 65

A : Resolver
P : Hiperface Singleturn DSL SIL2 EKS36
Q : Hiperface Multiturn DSL SIL2 EKM36
R : Hiperface Singleturn SKS 36 - 128
S : Hiperface Multiturn SKM 36 - 128

T : Hiperface Singleturn SRS 50 - 1024
U : Hiperface Multiturn SRM 50 - 1024
V : Endat Singleturn ECN 1113
W : Endat Multiturn EQN 1125
X : Low Cost Encoder - 2048
Y : Sensorless

Temperature Sensor on Power Connector

0 : Base
1 : PTC
2 : Thermoswitch
6 : KTY
3 : Brake
4 : Brake + PTC
5 : Brake + Thermoswitch
7 : Brake + KTY

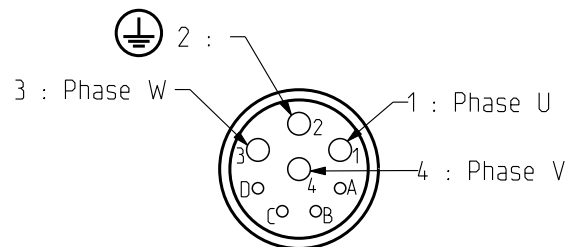
Temperature Sensor on Signal Connector

A : PTC
B : Thermoswitch
C : KTY
D : Brake + PTC
E : Brake + Thermoswitch
F : Brake + KTY

Not Applicable for Feedback Letter Y, P/Q

EXCEPT NX1 MOTORS and Except NX1/NX2 motors for Feedback letter P/Q

POWER CONNECTOR



A : Brake +
B : Brake -
C : Temperature sensor *
D : Temperature sensor ** } If the option is required

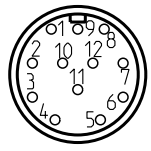
* PTC or Thermoswitch or KTY Anode
** PTC or Thermoswitch or KTY Cathode

For only Feedback Letter : P/Q

A : ----- Brake +
B : ----- Brake -
C : DSL + and --- Temperature sensor *
D : DSL - and --- Temperature sensor ** } If the option is required

* PTC or Thermoswitch or KTY Anode
** PTC or Thermoswitch or KTY Cathode

SIGNAL CONNECTOR

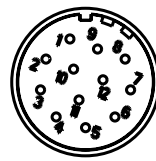


Feedback Letter : A (Resolver - 12 pins)

1 : S3
2 : S1
3 : Temperature sensor *
6 : Temperature sensor **
7 : S2
8 : S4
10 : R1
12 : R2

S1 = Cos - S2 = Sin - R1 = excitation +
S3 = Cos + S4 = Sin + R2 = excitation -

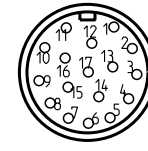
Rotor is rotating in clock wise viewed from shaft end view.



Feedback Letter : R/S/T/U (Hiperface - 12 pins 15')

1 : Sin +
2 : Ref Sin
3 : Cos +
4 : Ref Cos
5 : Temperature sensor *
6 : Temperature sensor **
9 : Data +
10 : Data -
11 : Us
12 : Ground

* PTC or Thermoswitch or KTY Anode
** PTC or Thermoswitch or KTY Cathode } If the option is required



Feedback Letter : V/W (Endat - 17 pins)

1 : Up Sensor
4 : 0V Sensor
5 : Temperature sensor *
6 : Temperature sensor **
7 : Up
8 : Clock
9 : Clock \

10 : 0V
12 : B+
13 : B-
14 : Data
15 : A+
16 : A-
17 : Data \

Feedback Letter : X (F10 - 17 pins)

1 : Vcc
2 : Temperature sensor *
3 : Ground
4 : U
5 : V\
6 : V
7 : Temperature sensor **
8 : W
9 : W\
10 : A
11 : A\
12 : B
13 : B\
14 : Z
15 : Z\
17 : U\
18 : U\
19 : V

ENCODER SETTINGS

Feedback Letter : A

Motor powered by direct current at the current nominal value (W+ and V-), the shift is 90° electrical.

Feedback Letter : R/S

Motor powered by direct current at the current nominal value (W+ et V-), value in encoder memory is 205

Feedback Letter : T/U

Motor powered by direct current at the current nominal value (W+ et V-), value in encoder memory is 1638

Feedback Letter : V/W

Motor powered by direct current at the current nominal value (W+ et V-), value in encoder memory is 410

Feedback Letter : X

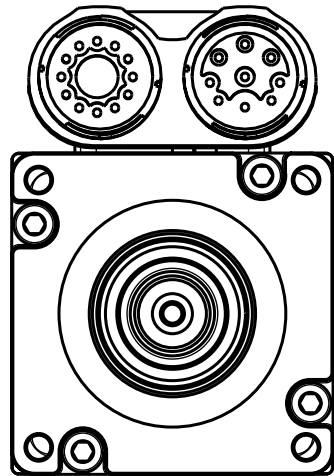
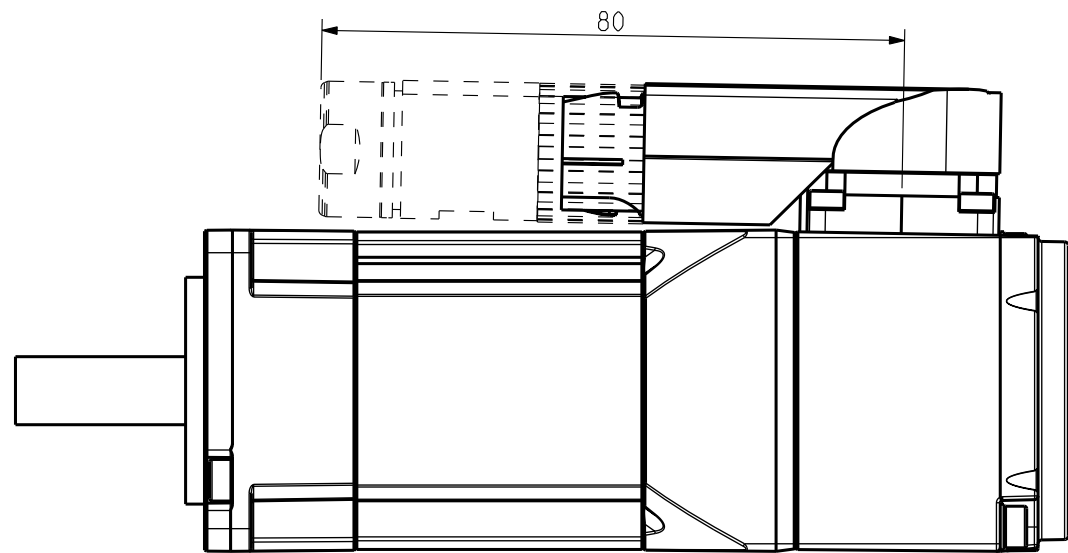
Engine driven clockwise shaft end side. Switching signal V is in phase with FEM UV.

Feedback Letter : P/Q

Standard encoder settings: Motor powered by direct current at the current nominal value (WV+ and U-), the shift is 0° electrical.

Sheet : 5/7

<p>THIS DOCUMENT CONTAINS INFORMATION THAT IS CONFIDENTIAL AND PROPRIETARY TO PARKER-HANNIFIN CORPORATION. THIS DOCUMENT IS FURNISHED ON THE UNDERSTANDING THAT THE DOCUMENT AND THE INFORMATION IT CONTAINS WILL NOT BE COPIED OR DISCLOSED TO OTHERS OR USED FOR ANY PURPOSE OTHER THAN CONDUCTING BUSINESS WITH PARKER-HANNIFIN CORPORATION, AND WILL BE RETURNED AND ALL FURTHER USE DISCONTINUED UPON REQUEST BY PARKER-HANNIFIN CORPORATION. THE RECIPIENT OF THIS DOCUMENT THROUGH ITS OWN ANALYSIS AND TESTING IS SOLELY RESPONSIBLE FOR MAKING THE FINAL SELECTION OF THE APPLICABLE SYSTEM AND COMPONENTS AND ASSURING THAT ALL PERFORMANCE, DURABILITY, MAINTENANCE, SAFETY AND WARNING REQUIREMENTS OF THE APPLICATION ARE MET. COPYRIGHT PARKER-HANNIFIN CORPORATION. YEAR OF COPYRIGHT IS FIRST YEAR INDICATED ON THIS DOCUMENT. ALL RIGHTS RESERVED.</p>	<p>General tolerances DIN ISO 2768 mK</p>	<p>Drawn 03/07/09 YG Visa</p>	<p>I AM24474 01/12/15 PR</p>	<p>F AM23892 26/06/12 PR</p>	<p>4 boulevard Eiffel - CS 40090 21604 Longvic Cedex - France www.parker.com</p>	<p>NX MOTORS CONNECTIONS</p>	<p>Format A3</p>	<p>F E S G I</p>	<p>CONNECTOR VARIANT</p>	<p>344993</p>	<p>1</p>
		<p>Modifications</p>	<p>H AM24108 22/04/13 SD</p>	<p>E AM23624 26/05/11 YG</p>			<p>A3</p>	<p>x</p>			
		<p>G AM23924 26/07/12 PR</p>	<p>D AM23533 26/01/11 OD</p>	<p>Scale /</p>			<p>344993</p>	<p>1</p>			



N X 1 - E - R 7

Torque range
(depends on length)

Winding
(depends on speed)

A : Resolver

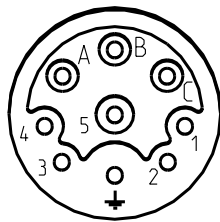
0 : Plain Shaft
1 : key
0 : IP 64
1 : IP 65

Temperature Sensor on Power Connector

0 : Base 3 : Brake

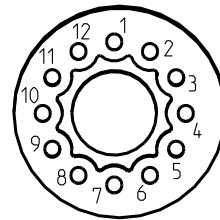
NX1 ONLY

POWER CONNECTOR



A : Phase U
B : Phase V
C : Phase W
Ground
1 : Brake +
2 : Brake - } If the option is required

SIGNAL CONNECTOR



Feedback Letter : A
(Resolver - 12 pins)

1 : S3
2 : S1
7 : S2
8 : S4
10 : R1
12 : R2

S1 = Cos -	S2 = Sin -	R1 = excitation +
S3 = Cos +	S4 = Sin +	R2 = excitation -

Rotor is rotating in clock wise viewed from shaft end view.

ENCODER SETTINGS

Feedback Letter : A

Motor powered by direct current
at the current nominal value
(W+ and V-), the shift is
90° electrical.

Sheet : 6/7

General tolerances
DIN ISO 2768 mk

Drawn	03/07/09	YG	Visa					
Modifications	I	AM24474	01/12/15	PR	F	AM23892	26/06/12	PR
	H	AM24108	22/04/13	SD	E	AM23624	26/05/11	YG
	G	AM23924	26/07/12	PR	D	AM23533	26/01/11	OD



Scale

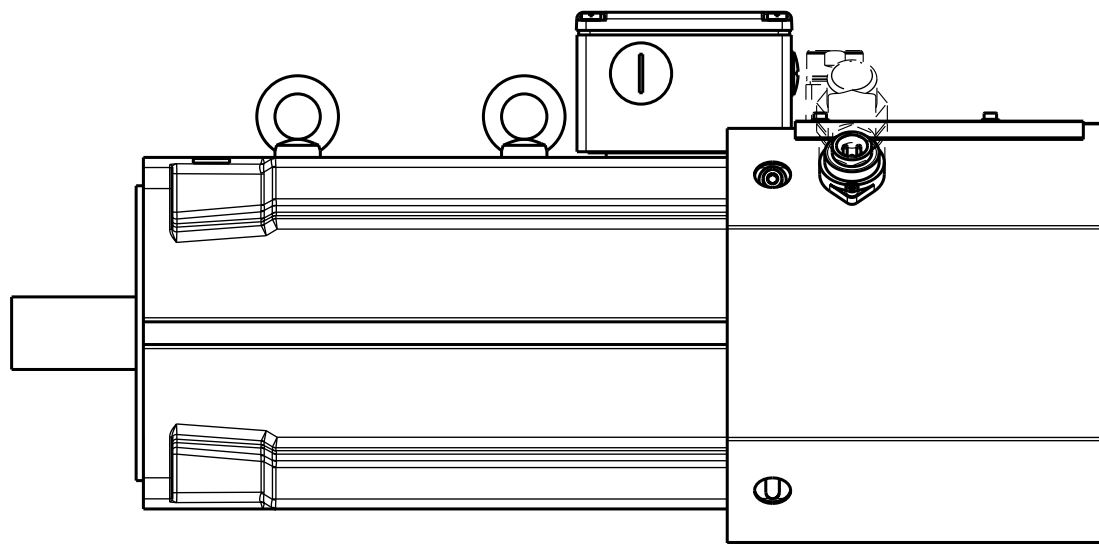


4 boulevard Eiffel - CS 40090
21604 Longvic Cedex - France
www.parker.com

NX MOTORS CONNECTIONS
CONNECTOR VARIANT

Format	F	E	S	G	I
A3	x				
344993					

THIS DOCUMENT CONTAINS INFORMATION THAT IS CONFIDENTIAL AND PROPRIETARY TO PARKER-HANNIFIN CORPORATION. THIS DOCUMENT IS FURNISHED ON THE UNDERSTANDING THAT THE DOCUMENT AND THE INFORMATION IT CONTAINS WILL NOT BE COPIED OR DISCLOSED TO OTHERS OR USED FOR ANY PURPOSE OTHER THAN CONDUCTING BUSINESS WITH PARKER-HANNIFIN CORPORATION, AND WILL BE RETURNED AND ALL FURTHER USE DISCONTINUED UPON REQUEST BY PARKER-HANNIFIN CORPORATION. THE RECIPIENT OF THIS DOCUMENT THROUGH ITS OWN ANALYSIS AND TESTING IS SOLELY RESPONSIBLE FOR MAKING THE FINAL SELECTION OF THE APPLICABLE SYSTEM AND COMPONENTS AND ASSURING THAT ALL PERFORMANCE, DURABILITY, MAINTENANCE, SAFETY AND WARNING REQUIREMENTS OF THE APPLICATION ARE MET. COPYRIGHT PARKER-HANNIFIN CORPORATION. YEAR OF COPYRIGHT IS FIRST YEAR INDICATED ON THIS DOCUMENT. ALL RIGHTS RESERVED.



N X - - - E - - R 9 - - -
 N X - - - E - - R 5 ** - - -

Torque range
(depends on length)

Winding
(depends on speed)

0 : Plain Shaft
 1 : key
 0 : IP 64
 1 : IP 65

A : Resolver
 R : Hiperface Singleturn SKS 36 - 128
 S : Hiperface Multiturn SKM 36 - 128

T : Hiperface Singleturn SRS 50 - 1024
 U : Hiperface Multiturn SRM 50 - 1024
 V : Endat Singleturn ECN 1113
 W : Endat Multiturn EQN 1125
 X : Low Cost Encoder - 2048

Temperature Sensor on Power Connector

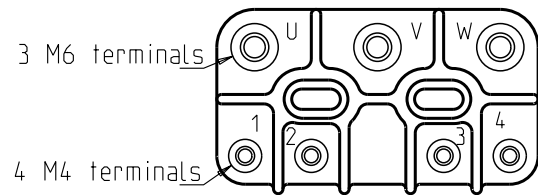
Temperature Sensor on Signal Connector

0 : Base
 1 : PTC
 2 : Thermoswitch
 6 : KTY
 3 : Brake
 4 : Brake + PTC
 5 : Brake + Thermoswitch
 7 : Brake + KTY

A : PTC
 B : Thermoswitch
 C : KTY
 D : Brake + PTC
 E : Brake + Thermoswitch
 F : Brake + KTY

**UL TERMINAL BOX AND VENTILATION

TERMINAL BOX



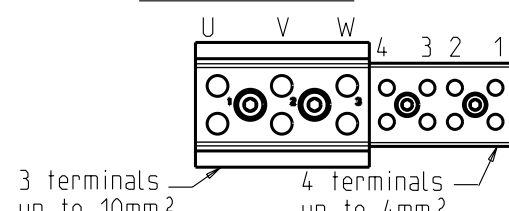
U : Phase U
 V : Phase V
 W : Phase W
 1 : Brake +
 2 : Brake -
 3 : Temperature sensor*
 4 : Temperature sensor**

If the option is required

Ground in the terminal box (M6)

* PTC or Thermoswitch or KTY Anode
 ** PTC or Thermoswitch or KTY Cathode

UL TERMINAL BOX

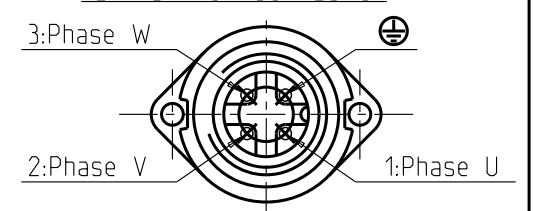


U : Phase U
 V : Phase V
 W : Phase W
 1 : Brake +
 2 : Brake -
 3 : Temperature sensor*
 4 : Temperature sensor**

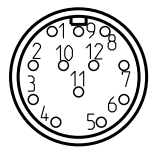
If the option is required

Ground in the terminal box (M6)

VENTILATION CONNECTOR



SIGNAL CONNECTOR

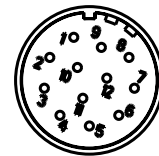


Feedback Letter : A
(Resolver - 12 pins)

1 : S3
 2 : S1
 3 : Temperature sensor*
 6 : Temperature sensor**
 7 : S2
 8 : S4
 10 : R1
 12 : R2

S1 = Cos - S2 = Sin - R1 = excitation +
 S3 = Cos + S4 = Sin + R2 = excitation -

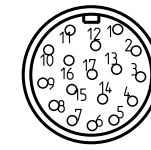
Rotor is rotating in clock wise viewed from shaft end view.



Feedback Letter : R/S/T/U
(Hiperface - 12 pins 15')

1 : Sin +
 2 : Ref Sin
 3 : Cos +
 4 : Ref Cos
 5 : Temperature sensor*
 6 : Temperature sensor**
 9 : Data +
 10 : Data -
 11 : Us
 12 : Ground

* PTC or Thermoswitch or KTY Anode
 ** PTC or Thermoswitch or KTY Cathode } If the option is required



Feedback Letter : V/W
(Endat - 17 pins)

1 : Up Sensor
 4 : OV Sensor
 5 : Temperature sensor*
 6 : Temperature sensor**
 7 : Up
 8 : Clock
 9 : Clock \

10: 0V
 12 : B+
 13 : B-
 14 : Data
 15 : A+
 16 : A-
 17 : Data \

Feedback Letter : X
(F10 - 17 pins)

1 : Vcc
 2 : Temperature sensor*
 3 : Ground
 4 : U
 5 : V\
 6 : V
 7 : Temperature sensor**
 8 : W
 9 : W\
 10 : A
 11 : A\
 12 : B
 13 : B\
 14 : Z
 15 : Z\
 17 : U\
 17 : U\

ENCODER SETTINGS

Feedback Letter : A

Motor powered by direct current at the current nominal value (W+ et V-), the shift is 90° electrical

Feedback Letter : R/S

Motor powered by direct current at the current nominal value (W+ et V-), value in encoder memory is 205

Feedback Letter : T/U

Motor powered by direct current at the current nominal value (W+ et V-), value in encoder memory is 1638

Feedback Letter : V/W

Motor powered by direct current at the current nominal value (W+ et V-), value in encoder memory is 410

Feedback Letter : X

Engine driven clockwise shaft end side. Switching signal V is n phase with FEM UV.

<small>THIS DOCUMENT CONTAINS INFORMATION THAT IS CONFIDENTIAL AND PROPRIETARY TO PARKER-HANNIFIN CORPORATION. THIS DOCUMENT IS FURNISHED ON THE UNDERSTANDING THAT THE DOCUMENT AND THE INFORMATION IT CONTAINS WILL NOT BE COPIED OR DISCLOSED TO OTHERS OR USED FOR ANY PURPOSE OTHER THAN CONDUCTING BUSINESS WITH PARKER-HANNIFIN CORPORATION, AND WILL BE RETURNED AND ALL FURTHER USE DISCONTINUED UPON REQUEST BY PARKER-HANNIFIN CORPORATION. THE RECEIPT OF THIS DOCUMENT THROUGH ITS OWN ANALYSIS AND TESTING IS SOLELY RESPONSIBLE FOR MAKING THE FINAL SELECTION OF THE APPLICABLE SYSTEM AND COMPONENTS AND ASSURING THAT ALL PERFORMANCE, DURABILITY, MAINTENANCE, SAFETY AND WARNING REQUIREMENTS OF THE APPLICATION ARE MET. COPYRIGHT PARKER-HANNIFIN CORPORATION. YEAR OF COPYRIGHT IS FIRST YEAR INDICATED ON THIS DOCUMENT. ALL RIGHTS RESERVED.</small>	General tolerances DIN ISO 2768 mK	Drawn 03/07/09 YG Visa	Scale		 4 boulevard Eiffel - CS 40090 21604 Longvic Cedex - France www.parker.com	NX MOTORS CONNECTIONS TERMINAL BOX VARIANT	Format A3	F E S G I x	344993	1
		Modifications I AM24474 01/12/15 PR F AM23892 26/06/12 PR H AM24108 22/04/13 SD E AM23624 26/05/11 YG G AM23924 26/07/12 PR D AM23533 26/01/11 OD	Scale /	Format A3						
		Modifications I AM24474 01/12/15 PR F AM23892 26/06/12 PR H AM24108 22/04/13 SD E AM23624 26/05/11 YG G AM23924 26/07/12 PR D AM23533 26/01/11 OD	Scale /	Format A3						